



www.motoalliance.com

Thank you for purchasing the DENALI Series 50" & 60" Snow Plow System by MotoAlliance! Fully engineered in the USA, we've paid attention to all the fine details from added horizontal supports and a 65° attack angle to improve wear bar life, to an over-center blade design that rolls snow forward to keep snow from building up at the leading edge. We believe you now have a plow that will last for years to come. Please feel free to contact us with any questions.

Warning And User Caution

- Never allow passengers to ride on the blade while plowing
- Stay clear of bystanders while plowing
- Do not exceed 10 MPH with blade installed
- Always wear safety gear (helmet, glasses, etc.) when plowing
- Always put your vehicle in Park before changing the angle of the plow blade
- Use extreme caution when plowing and riding on sloped surfaces
- Avoid all fixed objects and always wear a seatbelt
- Be cautious of the blade when lowering it from an upright position
- Always store your blade resting on the ground

Plow Blade Assembly Instructions

Upon opening your DENALI Plow Blade box, verify that all the components shown in **(Figure 1)** are included in your package.

ITEM NO.	Part Description	Quantity	Reorder SKU
1	DENALI Snow Plow Blade	1	-
2	Wear Bar	1	-
3	3/8"-16x1" Carriage Bolt	8	-
4	3/8"-16 Nylock Nut	8	-
5	Skid Feet	2	-
6	Cotter Pin	2	-

Figure 1

Plow Blade Assembly

- 1) Remove your blade from the box and verify that the following contents are present:
 - a. (1) Blade (#1)
 - b. (1) Wear Bar (#2)
 - c. (1) Hardware bag (see above item list)
- 2) Install the Wear Bar (#2) to the bottom of the Blade (#1) using the 3/8" Carriage Bolts (#3), and Nylock Nuts (#4) included in your kit, see **(Figure 2)**. The Carriage Bolts may need to be pushed in only part of the way until the Nylock nut has been started as the bottom horizontal stabilizer bar is in close proximity. You also may need to use an open-ended wrench to gain access for tightening. **Installation Tip:** Tighten the bolts from the center out. This step of the install takes the most time.

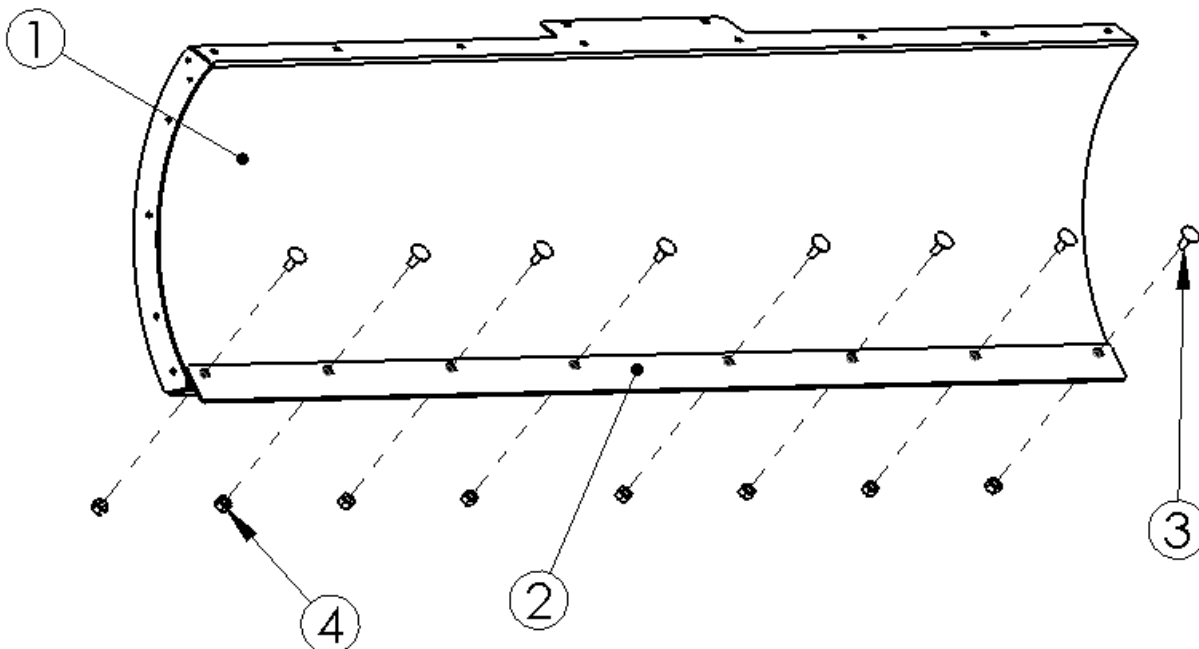


Figure 2



**DENALI ATV 50" & 60" Plow
Blade & Pushtube Assembly**

- 3) Install the Skid Feet (#5) onto the blade by sliding the Skid Feet Rods into the guide that is welded to the blade frame. Use the included Cotter Pin (#6) to secure the Skid Feet at the desired height, see **Figure 3**.

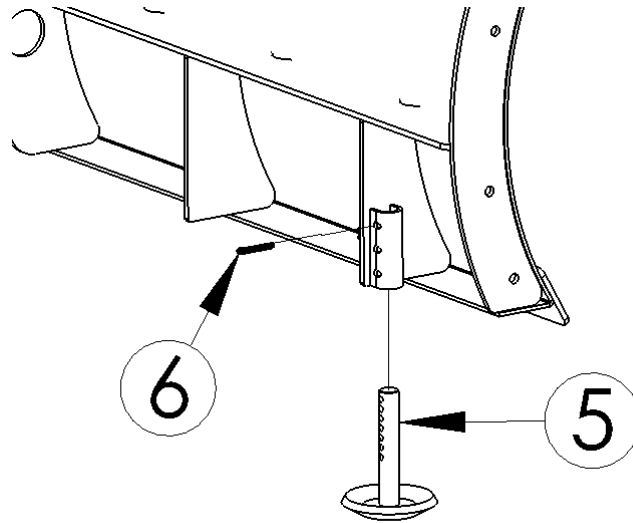


Figure 3

- 4) Your DENALI Series Plow Blade setup is now complete. Verify that all the bolts are secure. Proceed to Step 5 for Pushtube assembly and installation.

Pushtube Assembly Hardware List

Verify that your Pushtube box includes the following hardware.

ITEM NO.	Part Description	Quantity
7	8mm x 30mm Hex Head Bolt	6
8	8mm Lock Washer	6
9	8mm Flat Washer	6
10	3/8" Shaft – 5/16"-18 thread x 1/2" shaft length shoulder bolt	1
11	5/16"-18 Nylock Nut	1
12	5/16" Flat Washer	1
13	3/8"-16 x 6" Eye Bolt	2
14	3/8"-16 Hex Nut	4
15	3/8" Flat Washer	2
16	9.5mm Pin with Safety Clip	2
17	M10 x 25mm Socket Head Bolt	2
23	M10 Nylock Nut	2
24	M10 Flat Washer	2
25	M12 x 40mm Hex Head Bolt	2
26	M12 Nylock Nut	2
27	6" Plastic Spacer Ring	1
28	6" Metal Spacer Ring	1
29	10" Extension Spring	2
30	Small Compression Spring	1
31	Large Retainer Washer	2
32	Small Retainer Washer	2
33	Slotted Locking Bracket	1
34	Slotted Top Plate	1
35	Pushtube Weldment	1
36	Locking Handle	1

Figure 4

- 5) Attach the Slotted Top Plate (#34) and Slotted Locking Bracket (#33) to the Pushtube Weldment (#35) using the Plastic Spacer (#27), Metal Spacer (#28), and M8 Hardware (#7, #8, #9) as shown in **Figure 5**.

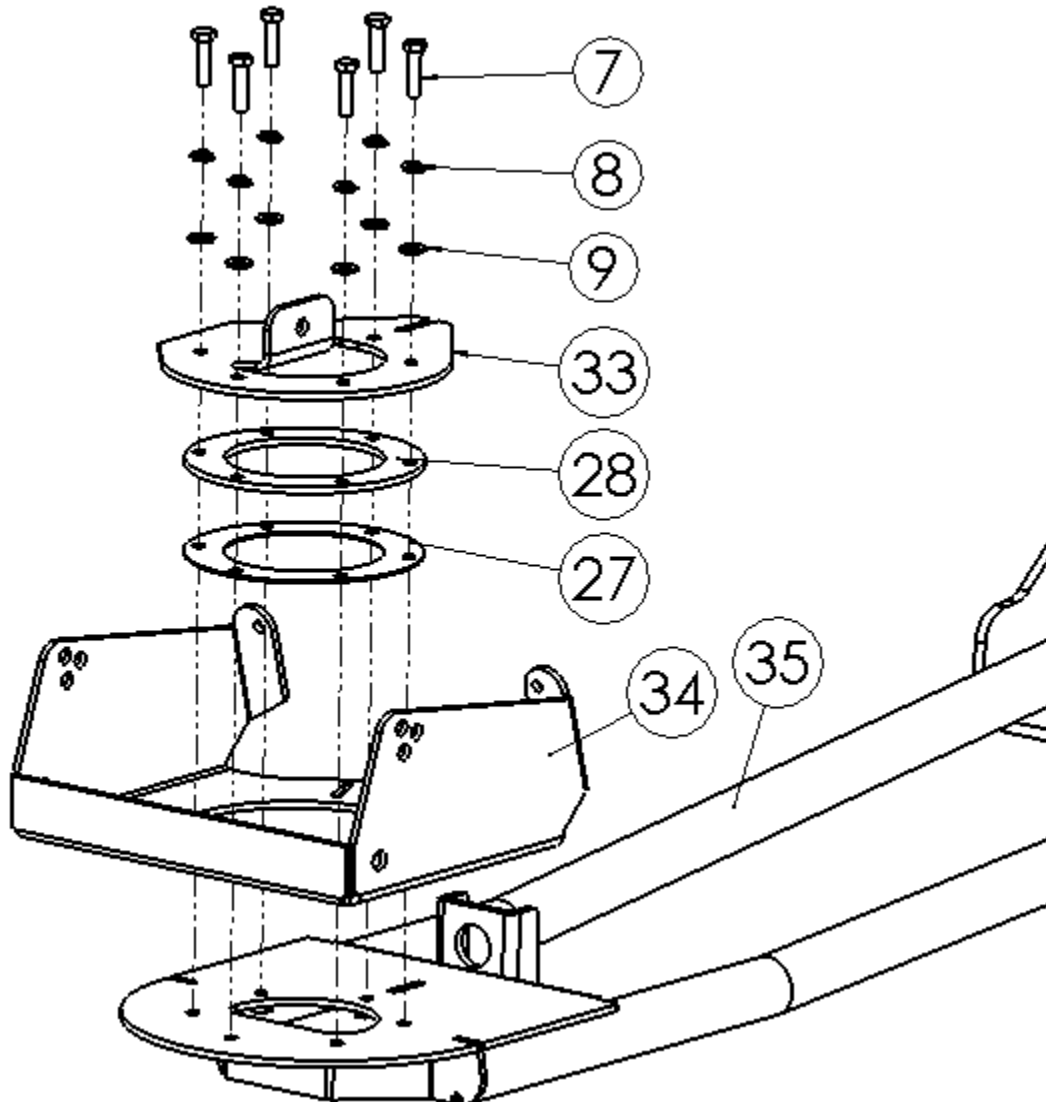


Figure 5



DENALI ATV 50" & 60" Plow Blade & Pushtube Assembly

- 6) Attach the Locking Handle (#36) to the Slotted Locking Bracket (#33) using the 3/8" Shoulder Bolt (#10), 5/16" Washer (#12) and 5/16" Nylock Nut (#11). **Note: The 3/8" Shoulder Bolt uses a 5/16" thread pitch.** See (Figure 6).

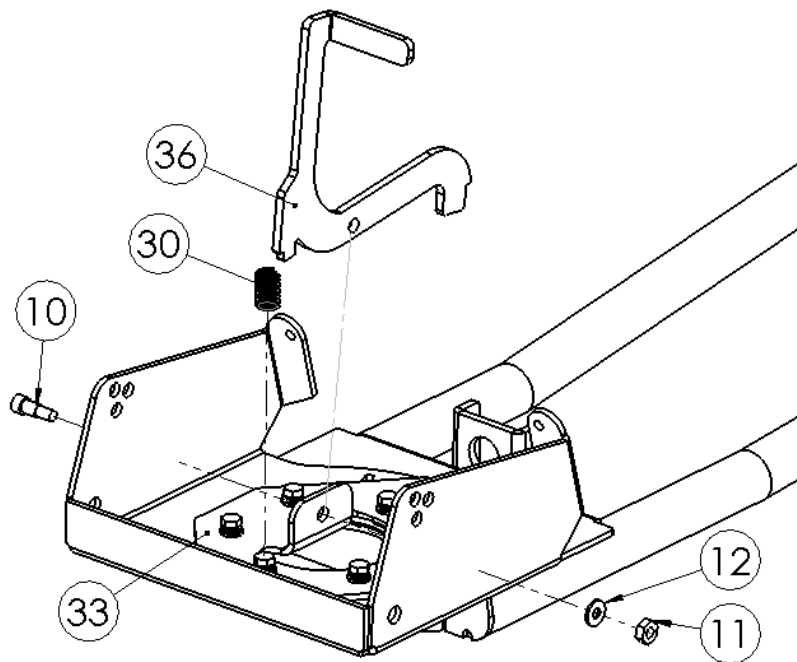


Figure 6

- 7) Press the Small Compression Spring (#30) over the front most M8 Bolt from Step 5 and into the slotted tab at the bottom of the Locking Handle (#36). This spring will keep the handle forced into the locked position. See (Figure 6)
- 8) Install the M10 Socket Bolt (#17), M10 Washer (#24), M10 Nylock Nut (23) into the Slotted Top Plate (#34), these bolts act as a hard stop for the plow blade. Depending on the desired forward tilt, the bolts can be moved to the alternate holes in the Slotted Top Plate. **NOTE:** We recommend starting with the **bottom most hole** of the three. See (Figure 7).

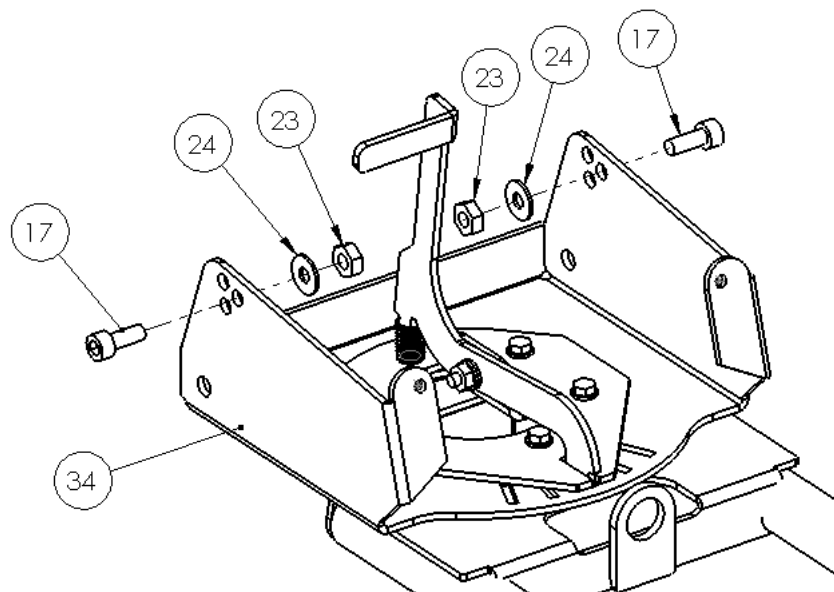


Figure 7

- 9) Attach the Plow Blade (#1) to the Slotted Top Plate (#34) using the M12 Hex Head Bolt (#25), Large Retainer Washer (#31), Small Retainer Washer (#32), and M12 Nylock Nut (#26). Take note of the order in which the Large and Small Washers are placed. **Installation Tip:** The small washer (#32) should be positioned inside the accompanying hole in the blade support bar before tightening. See (Figure 8.)

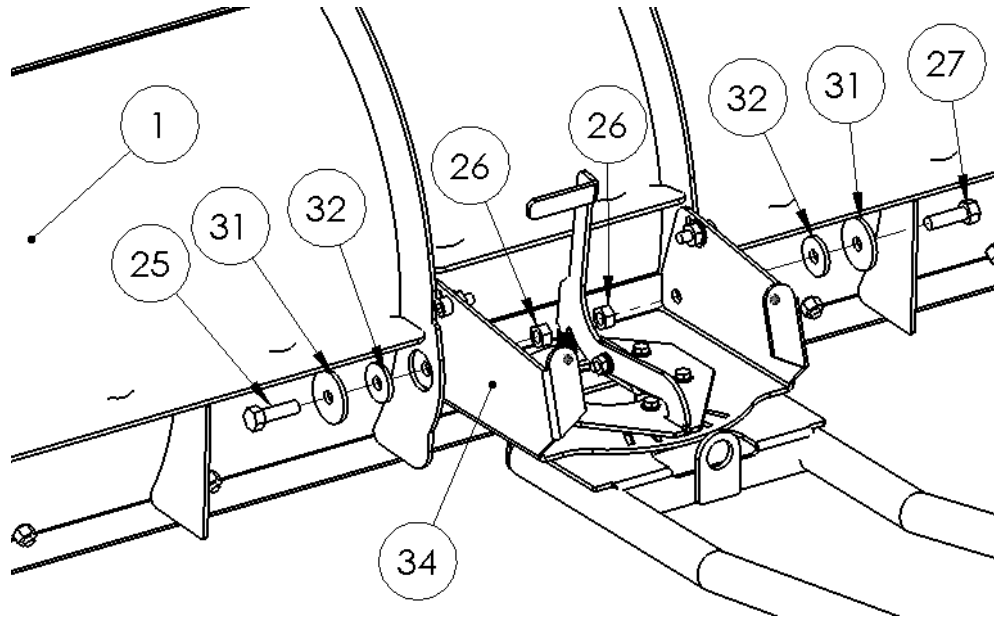


Figure 8

- 10) Install the 10" Extension Springs (#29) and 3/8" Eye Bolts (#13) between the Slotted Top Plate (#34) and the top of the Plow Blade (#1). The hook of the Extension Spring should face downward when attached to the Slotted Top Plate as shown in Figure 9b. Use the 3/8" Nuts (#14) and 3/8" Washers (#15) to tension the Eye Bolts (#13). **Installation Tip:** Attach the Springs to the Slotted Top Plate first and then attach the Eye Bolts. Tension the springs until taught; increase tension if the blade trips too easily. (See Figure 9a and 9b)

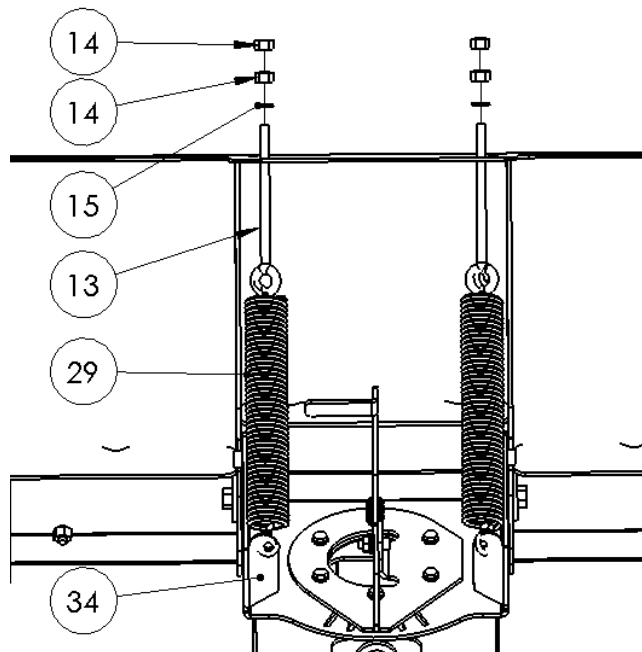


Figure 9a

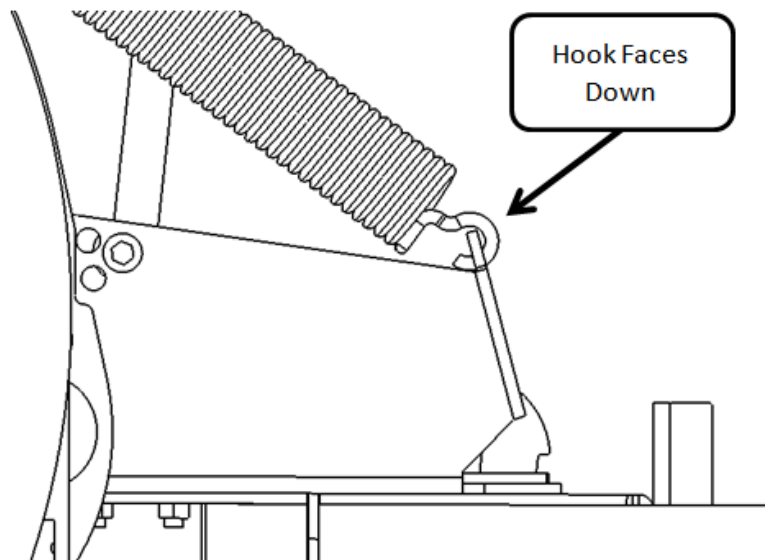


Figure 9b

11) Attach your Pushtube and Plow Assembly to your ATV plow mount using the 9.5mm Safety Clips (#16), not shown.

DENALI Plow Mount MA11199 Universal ATV Plow Mount

Kit Contents:

Part #	Qty	Description
1	1	MA11199-1 Plow Mount
2	4	MA11199-3 1.875" Mounting Tab
3	4	MA11199-4 2.125" Mounting Tab
4	4	MA11199-5 2.375" Mounting Tab
5	4	3/8" x 1.50" ID U-Bolt -3043T632
6	4	3/8" x 1.75" ID U-Bolt -3043T633
7	4	3/8" x 2.00" ID U-Bolt -3043T634
8	8	3/8" Serrated Flange Nut

Tips for installation:

Begin by removing the skid plate from your vehicle.

When installing the DENALI Universal Plow Mount, the mount should be placed approximately 2 feet from the front of the vehicle.

Included in your kit are three sizes of U-bolts, use the set that most securely fits around the frame of your vehicle, it may be necessary to mix and match sizes.

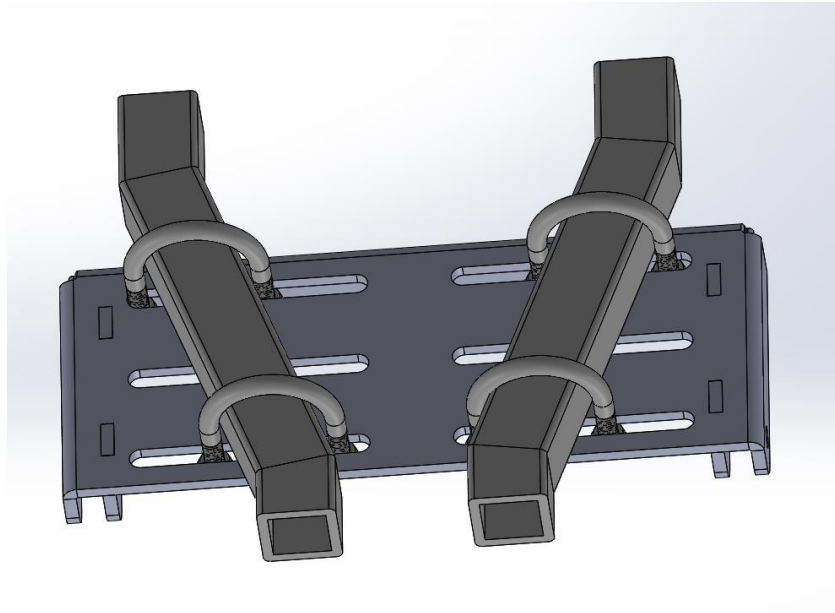
Ideally two U-bolts will be used to secure the mount front to back and the other two secure the mount side to side.



**DENALI ATV 50" & 60" Plow
Blade & Pushtube Assembly
If you want to reinstall the skid plate:**

After the mount is correctly secured, lift the skid plate into place and mark the location of the U-bolts in the skid plate and drill the holes out.

Remove the mount plate and reinstall the skid plate. Hang the U-bolts over the frame and through the skid plate. Reinstall the mount plate.

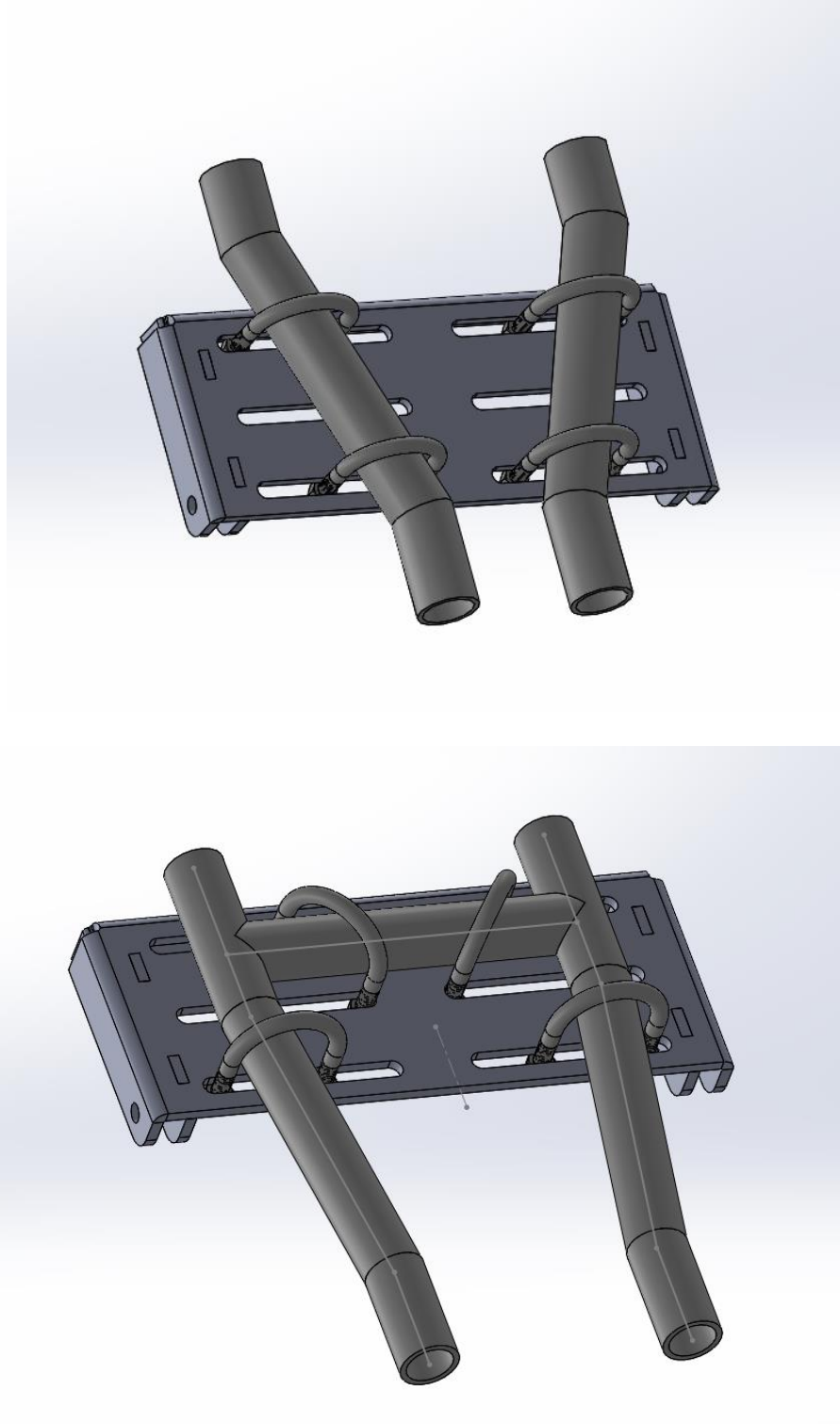


**DENALI ATV 50" & 60" Plow
Blade & Pushtube Assembly**



motoalliance

23001 Industrial Blvd Rogers, MN 55374



PLOW OPERATION TIPS

Long Distance Travel

If you plan on driving ¼" mile or more without plowing, we suggest attaching the plow to your ATV frame with a ratchet strap or something similar to minimize the bouncing action on the plow and preserve your ATV suspension system.

Throwing Snow

Fully designed in the USA, your DENALI Plow Blade was engineered to have an over-centered blade and 65° attack angle. The over-centered design insures that snow is transitioned up the plow blade and rolled forward. Not only is air removed from the snow during the process but this blade design reduces the chance that snow will back up in front of the blade and build large side walls that fall back onto the plowed path. The 65° attack angle maximizes wear bar life and reduces wear on your plowing surface.

Back Dragging

If you plan to back drag with your blade you must remove the skid feet to eliminate the chance of accidental snags that may damage the blade supports.

Warranty

Your Plow Blade has a **Three-Year Warranty** against manufacturing defects. This does not cover user error or consumable materials such as the wear bar and paint.

Maintenance

Some degree of paint scratching or chipping will inevitably happen during the plowing season. We recommend purchasing a rust preventing paint at the end of the season to be applied per the manufacturer's recommendation on areas of exposed metal.

Enjoy the plowing season.....you'll be the envy of your neighbors!