



DENALI Professional Series Snow Plow Blade Installation



motoalliance

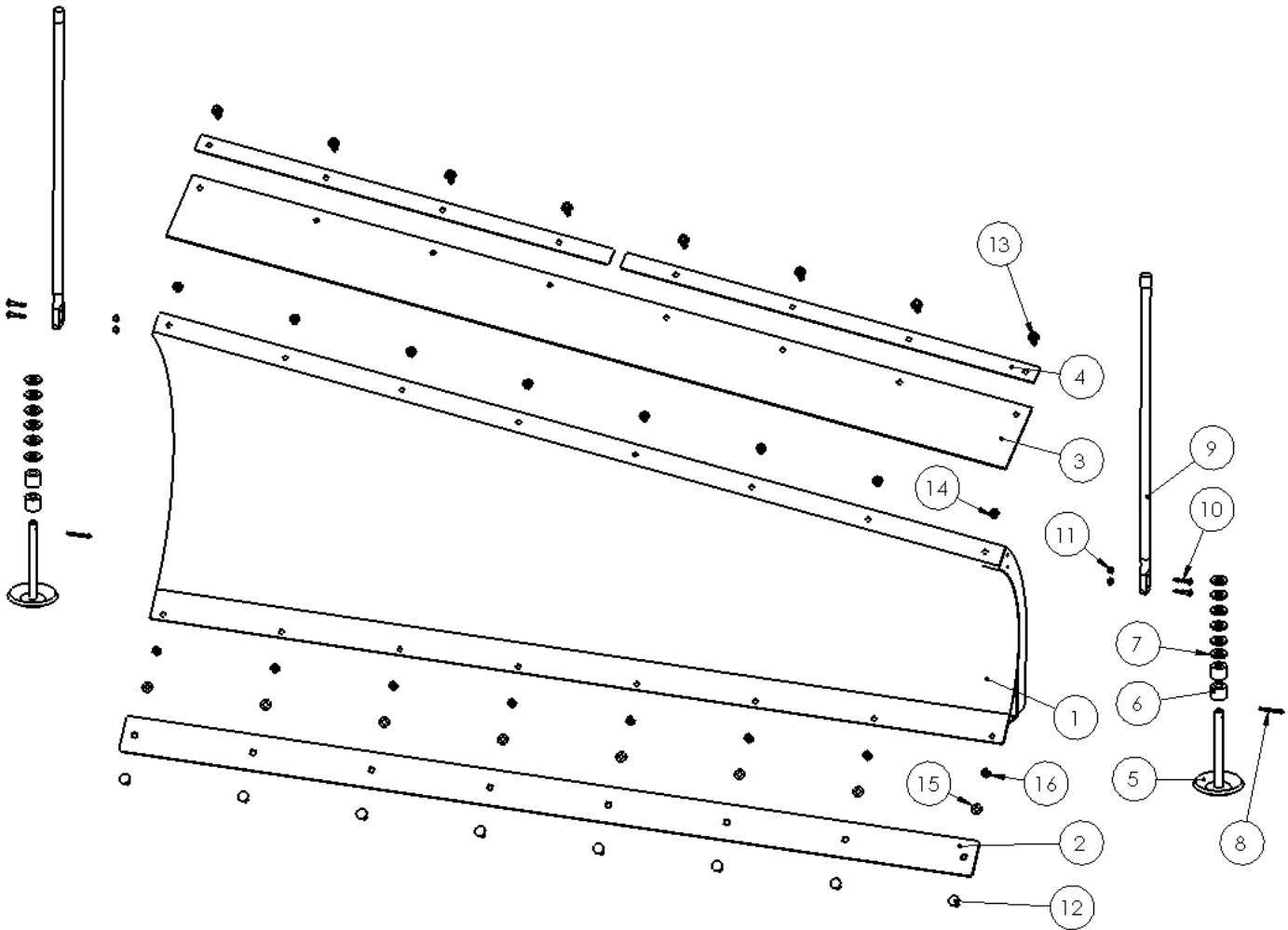
22000 Industrial Blvd, Rogers, MN 55374
www.motoalliance.com. 866-527-7637

Thank you for purchasing MotoAlliance's top-of-the-line Professional Series UTV Snow Plow System! We've paid attention to all the fine details and believe you now have a plow that will last for years to come. Please feel free to contact us with any questions.

Warning And User Caution

- Never allow passengers to ride on the blade
- Stay clear of bystanders while plowing
- Do not exceed 10 MPH with blade installed
- Always wear safety gear (helmet, glasses, etc) when plowing
- Always put your vehicle in Park before changing the angle of the plow blade
- Use extreme caution when plowing and riding on sloped surfaces
- Avoid all fixed objects and always wear a seatbelt
- Be cautious of the blade when lowering it from an upright position
- Always store your blade resting on the ground

DENALI Professional Series Snow Plow Blade Installation



ITEM NO.	Part Description	Quantity
1	72" Pro Series Plow Blade	1
2	72" Pro Series Wear Bar	1
3	72" Rubber Flap	1
4	72" Hold Down Bar	2
5	UTV Skid Foot	2
6	Skid Foot Rubber Bushings	4
7	5/8" Flat Washers	12
8	3/16" x 1.5" Cotter Pin (Split pin)	2
9	Flag Markers	2
10	1/4"-20 x 1.5" Hex Bolt	4
11	1/4"-20 Nylock Nut	4
12	3/8"-16 x 1" Carriage Bolt	8
13	3/8"-16 x 1" Serrated Flange Bolt	8
14	3/8"-16 Serrated Flange Nuts	8
15	3/8" Flat Washer	8
16	3/8"-16 Nylock Nut	8

DENALI Professional Series Snow Plow Blade Installation Plow Blade Assembly

1) Install the 72" Wear Bar to the 72" Plow Blade as shown in Figure 1.

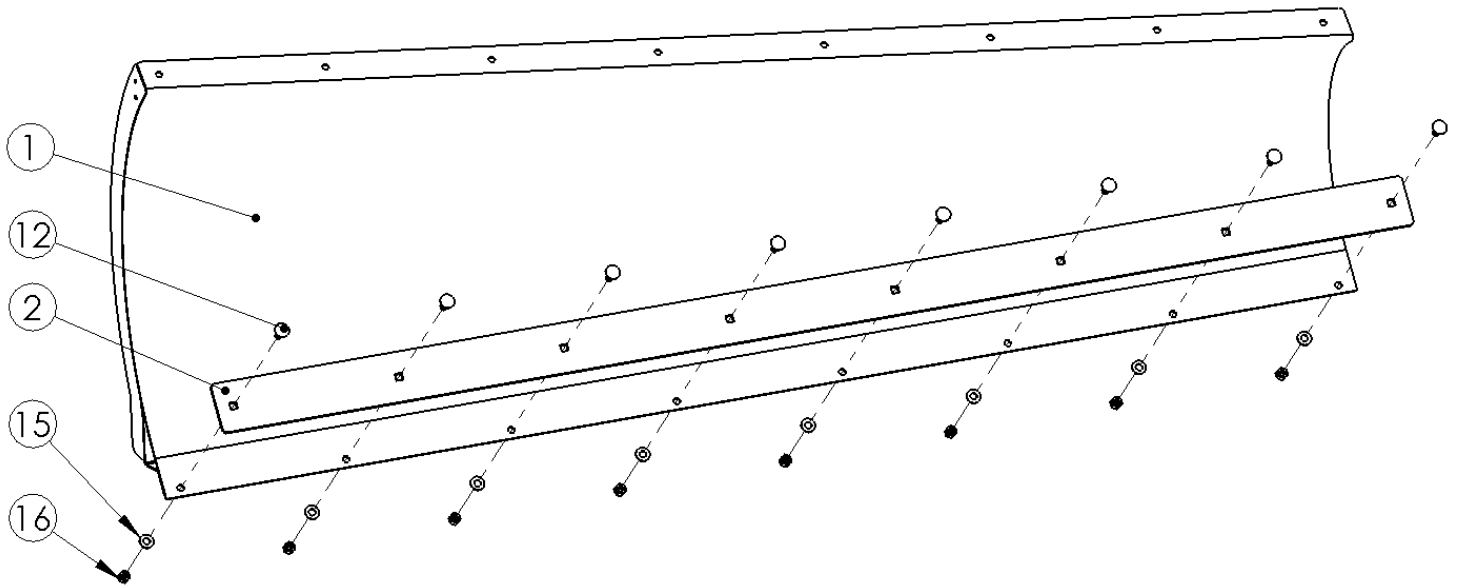


Figure 1

2) Install the 72" Rubber Flap and 2pc Rubber Flap Hold Down Bars as shown in Figure 2.

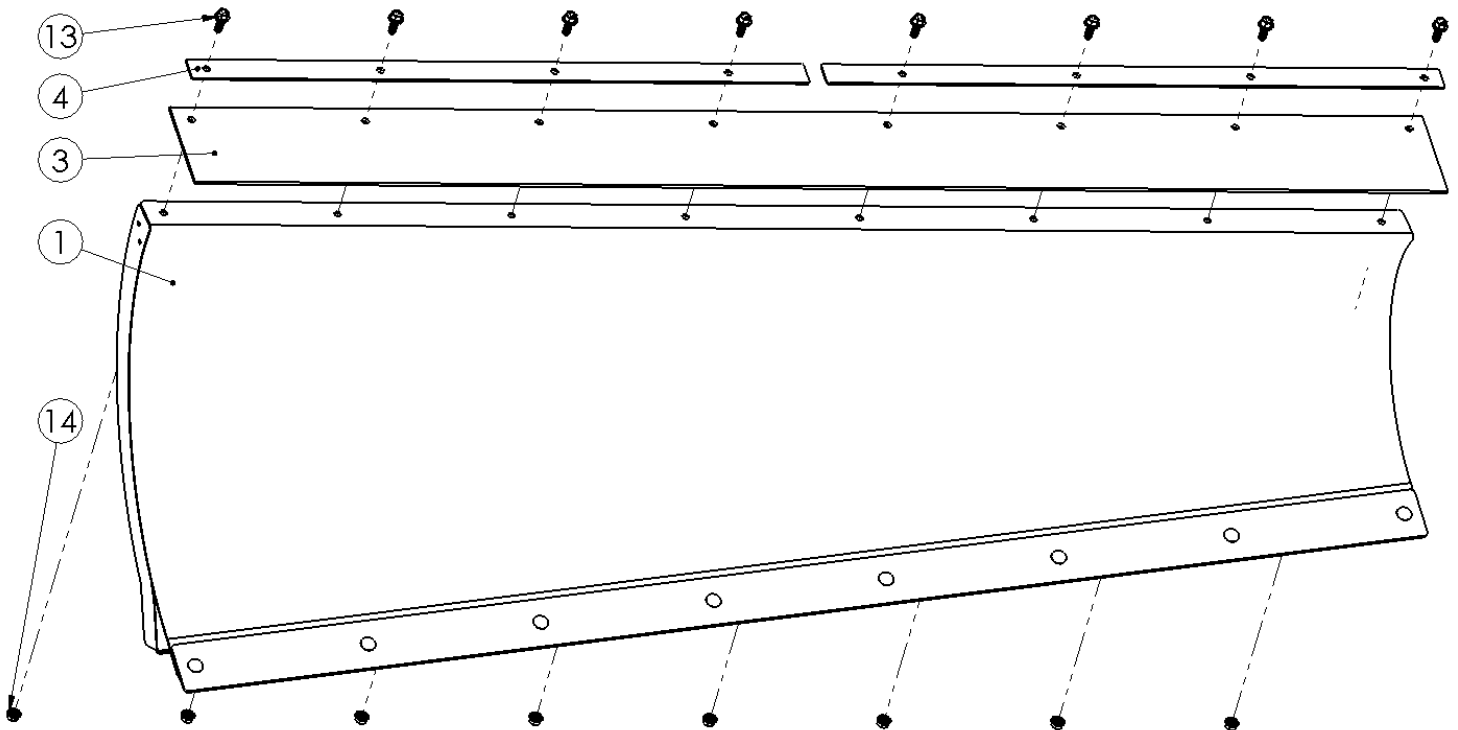


Figure 2

DENALI Professional Series Snow Plow Blade Installation

3) Install the Flag Markers to the sides of the plow blade as shown in Figure 3

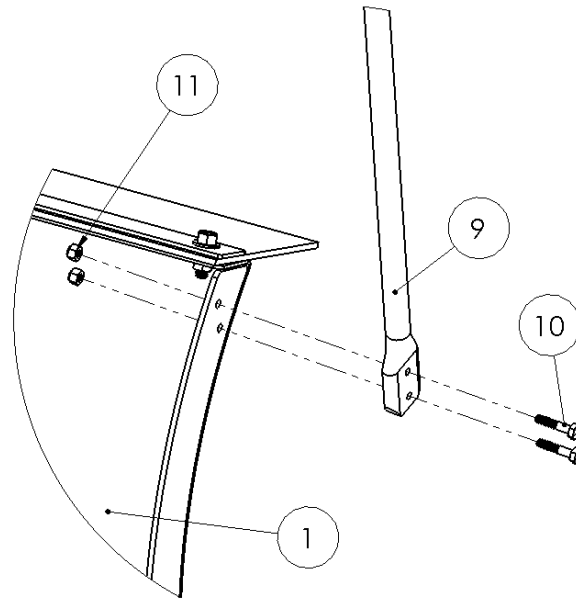


Figure 3

4) Install the Skid Feet with Rubber Bushings and 5/8" Flat Washers as shown in Figure 4. The height of the Skid Feet can be adjusted based on the location of the Rubber Bushings and 5/8" Flat Washers.

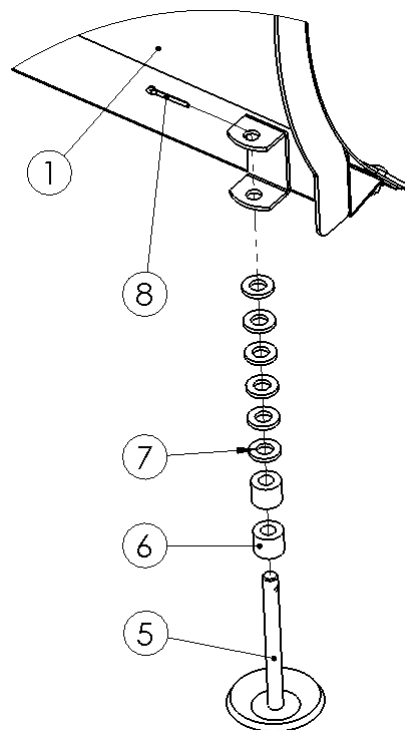


Figure 4



DENALI Professional Series Snow Plow Blade Installation

Your Pro Series Plow Blade is now assembled. Proceed with installation per the Denali Pushtube assembly instructions.

PLOW OPERATION TIPS

Long Distance Travel

If you plan on driving ¼" mile or more without plowing, we suggest attaching the plow to your UTV frame with a bungee cord to minimize the bouncing action on the plow and preserve your UTV shock and spring system.

Throwing Snow

Your county-style blade will throw snow up over snow banks. You will need to determine your best path of attack on the snow.

Warranty

Your Plow Blade has a **Three-year warranty** against manufacturing defects.

Enjoy the plowing season.....you'll be the envy of your neighbors!