

2" Receiver Winch Mount

Winch Mount

PART # 100620

Kit Components:

<u>Qty</u>	<u>Part Description</u>
1.....	Receiver Mount

4-HOLE MOUNTED WINCH INSTALLATION INSTRUCTIONS:

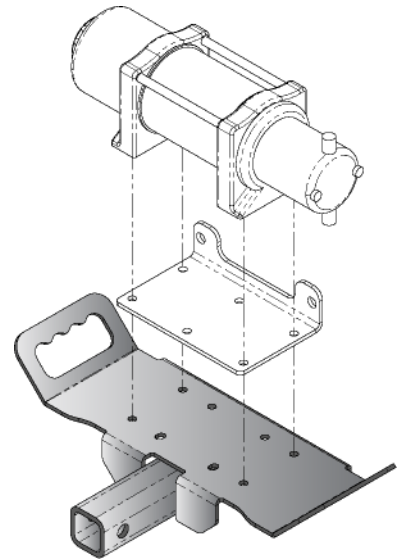
1. Mount Your Hawse or roller fairlead to your fairlead bracket with the hardware that was supplied with your winch kit. (not included)
2. Mount your winch (not included) and fairlead bracket assembly (not included) to the receiver mount using the hardware that was supplied with your winch kit as shown in Figure 1 or 2.
3. Using the instructions provided with your winch and/or the instructions provided with your multi-mount wiring kit, wire accordingly.

2-HOLE MOUNTED WINCH INSTALLATION INSTRUCTIONS:

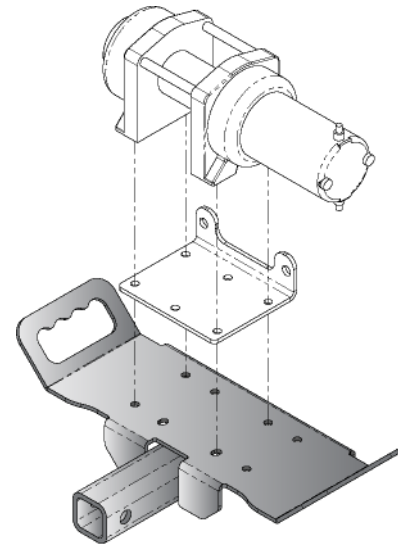
1. Mount Your Hawse or roller fairlead to your fairlead bracket with the hardware that was supplied with your winch kit. (not included)
2. Mount your winch (not included) and fairlead bracket assembly (not included) to the receiver mount using the hardware that was supplied with your winch kit as shown in Figure 3.

NOTE: Some 2-hole mounted winches may have the motor on the opposite side as shown in Figure 3. Simply use the holes on the opposite side of the receiver mount for installation.

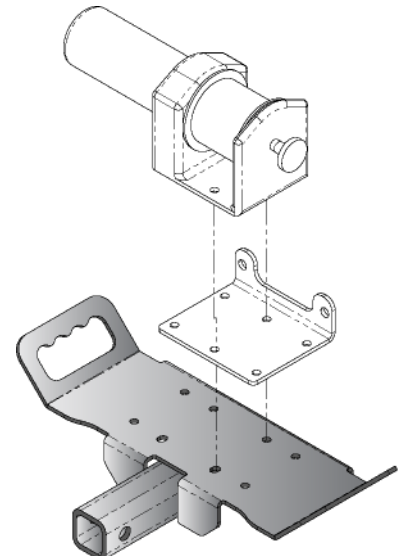
3. Using the instructions provided with your winch and/or the instructions provided with your multi-mount wiring kit, wire accordingly.



“Figure 1” Warn 4000 LBS winch



“Figure 2” Standard 4-hole winch



“Figure 3” Standard 2-hole winch