



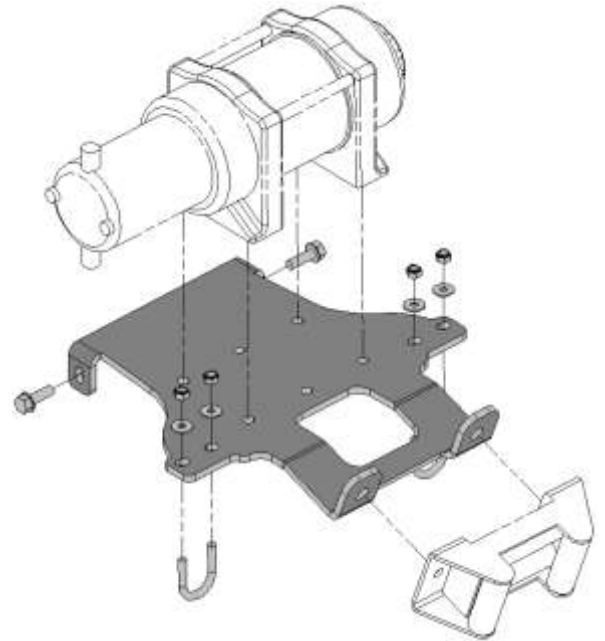
Honda Rincon

Winch Mount

PART # MA11804

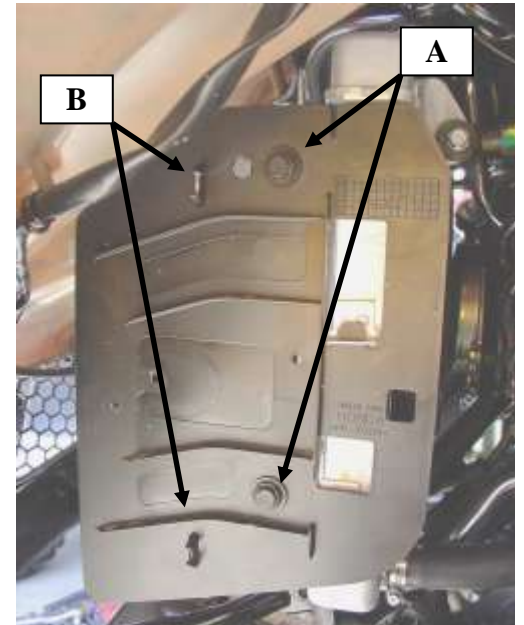
Kit Components:

<u>Qty</u>	<u>Part Description</u>
1.....	Winch Mount
2.....	1/4"-20 x 1" x 1-1/2" U-Bolt (42010)
4.....	1/4" Nylock Nut
4.....	1/4" Flat Washer
2.....	M8-1.25 x 25mm HH Bolt

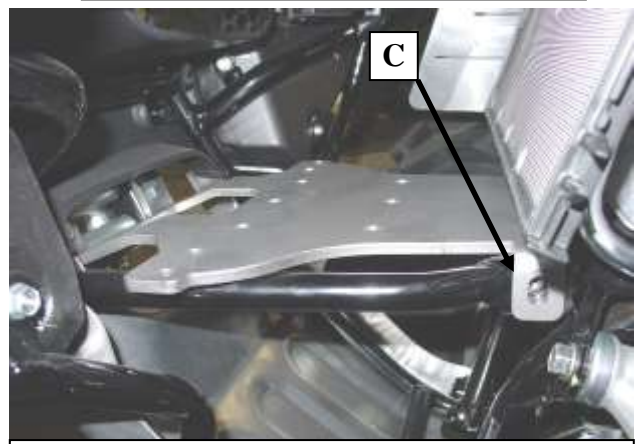


INSTALLATION INSTRUCTIONS:

1. Begin by removing the radiator plastic LH shroud and screen. "Figure 1"
 - a. Remove the plastic rivets (A)
 - b. Release the plastic tabs (B) both sides to remove radiator screen
 - c. Remove shroud and screen
2. Remove the (2) middle bumper bolts (C) that attach the bumper to the middle of the ATV frame, "Figure 2". These two bolts will be replaced with the (2) supplied M8 bolts.
3. Place the mounting plate into position on the front bumper "Figure 2". Install (2) U-bolts, (4) washers, and (4) lock nuts that are supplied with this kit. *Do not tighten U-bolts at this time.*
4. Attach your fairlead to the fairlead mounting location using hardware that was supplied with your winch or fairlead. Torque fairlead bolts to approx. 25 ft-lb.
5. Mount your winch to the mounting bracket using the supplied hardware that you got with your winch. *NOTE: with some winches you may need to trim a little bit of the plastic shroud on the winch motor side to clear the motor.*
6. Install the supplied 8mm bolts into the middle bumper mounting location (C) "Figure 2". *Do not tighten at this time.*
7. Now you can tighten all nuts and bolts to the recommended torque of:
 - 6mm bolts -12 N-m (9 ft-lb)
 - 8mm bolts -37 N-m (27 ft-lb)
 - 1/4" U-bolts -10 N-m (7 ft-lb)
8. Using the instructions provided with your Winch, wire accordingly.
9. Re-install shroud & screen that was removed.



"Figure 1" Remove shroud & screen



"Figure 2" Remove Middle Bumper Bolts and attach mount

