



22000 Industrial Blvd, Rogers, MN 55374 / 1-866-527-7637
www.motoalliance.com

DENALI Plow Mount

MA11770

All Vehicles with a 2" Front Receiver Hitch

Thank you for purchasing our Denali plow mount. You now own a premium, custom plow mount to allow you to use your plow with your SxS. Please note the following instructions and heed all warnings.

- Your UTV/SxS and/or plow system can cause death or injury, please use caution and common sense when operating your unit.
- Read your Plow Operator's Manual, your Winch Operator's Manual, and all warning labels before operating your UTV/SxS.
- Operate your SxS at a walking speed with the blade installed. Do not exceed 5 mph (8 km/h) even with the blade up.
- Do not operate the UTV/SxS on slopes greater than 10 degrees with the plow installed.
- Always lower the plow to the down position before leaving your UTV/SxS unattended.

SEVERE INJURY OR DEATH MAY RESULT IF YOU ARE NEGLIGENT.

motoinfo@motoalliance.com



Please verify that all hardware and parts are included in your package.

Kit Content: Please refer to Figure 1

ITEM NO.	PART NUMBER	QTY.
1	MA11770-W1 Main Weldment	1
2	MA11770-W3 Winch Attachment	1
3	3/8"-16 x 1" Hex Head Bolt	8
4	3/8" Flat Washer	8
5	3/8"-16 Nylock Nut	8
6	MA11770-4 Vertical Riser	2
7	QR-A2 3.125 Quick Release Pin Assembly	4
8	.625 x 3.00 Hitch Pin 90146A213	1

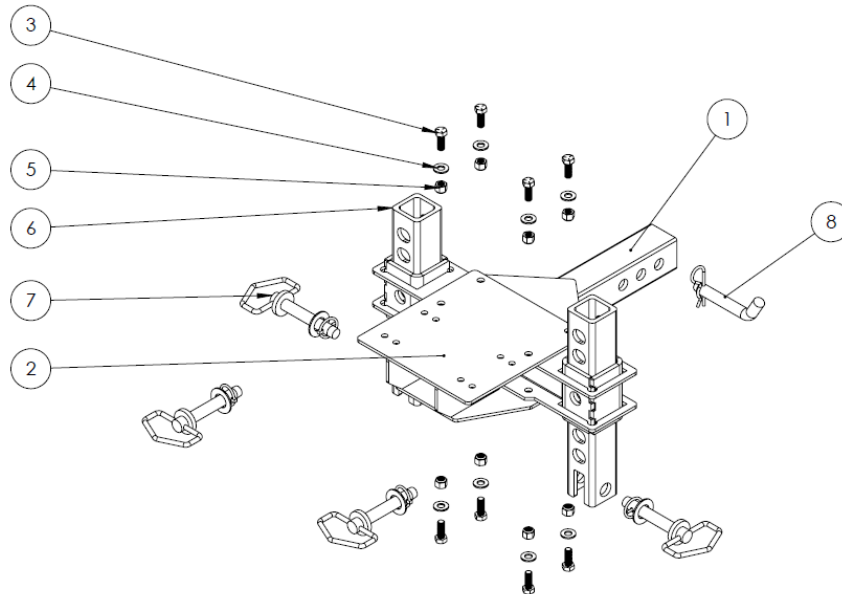


Figure 1



MA11770 Plow Mount Installation

1. Insert the MA11770 2" Receiver Plow Mount into the front 2" Receiver on your machine. Using one of the shorter Quick Release Pins, secure the mount into the 2" Receiver.
2. Insert the (2) MA11770 2" Receiver Plow Mount Tabs as shown in Figure 1. Secure the tabs with the remaining (2) short Quick Release Pins. The height of the Mounting Tabs should be equal and the plow pushtube system should ride parallel to the ground for optimal plowing conditions.

MA11770 Winch Mount Installation

3. A winch is required to raise and lower your plow system, this can be done using a winch located in the OEM stock location or in some situations a winch must be mounted to the 2" Receiver Plow Mount via the MA11770 Winch Attachment Bracket (#2 in hardware list).
 - a. If you opt to use the Winch Mount Attachment Bracket, align the Winch Attachment Bracket to the 2" Receiver Plow Mount as shown in Figure 1 and secure it using the (8) 3/8" x 1" Hex Bolts, Washers and Nuts. Secure your winch to the provided fairlead bracket, then attach your fairlead. It is recommended to use the plow pulley fairlead available on Motoalliance.com



- b If you opt to mount your winch on a machine specific mount, the provided fairlead bracket and optional plow pulley fairlead can be mounted to the MA11770 mount to guide the winch cables path.



4. Install your winch using the hardware included in the winch kit. Wire it according to the manufacturer's instructions.

motoinfo@motoalliance.com