

**Poly Tub Trailer  
IP8001**



22000 Industrial Blvd, Ste 250  
Rogers, MN 55374  
866.527.7637

**POLY TUB TRAILER INSTRUCTIONS**

Please read all instructions before beginning installation.

Thank you for purchasing a Poly Tub Trailer. You now own a premium custom trailer to use with your ATV, UTV, SxS, or lawn tractor. Please note the following instructions and heed all warnings:

- Your ATV/UTV/SxS and trailer can cause death or injury. Please use caution when operating your unit.
- Operate your ATV/UTV/SxS at a reasonable speed. Use caution, especially when carrying a load.
- The Poly Tub Trailer is meant for hauling equipment and materials. It is not meant for human or animal riders. Do not ride in the Poly Tub Trailer.

Part #	Qty	Description
1	1	Trailer Frame
2	1	Hitch Tube
3	2	Axle Assembly
4	1	Locking Lever Box
5	1	Locking Lever Handle
6	1	Locking Lever Latch
7	1	Locking Lever Spring
8	1	Locking Plate
9	1	Poly Tub
10	1	Forward Rail
11	1	Left Rail
12	1	Right Rail
13	2	Corner Rail Connector
14	2	Wheels
15	5	1/2"-13x3.5" Hex Bolt
16	2	3/8"-16x2" Hex Bolt

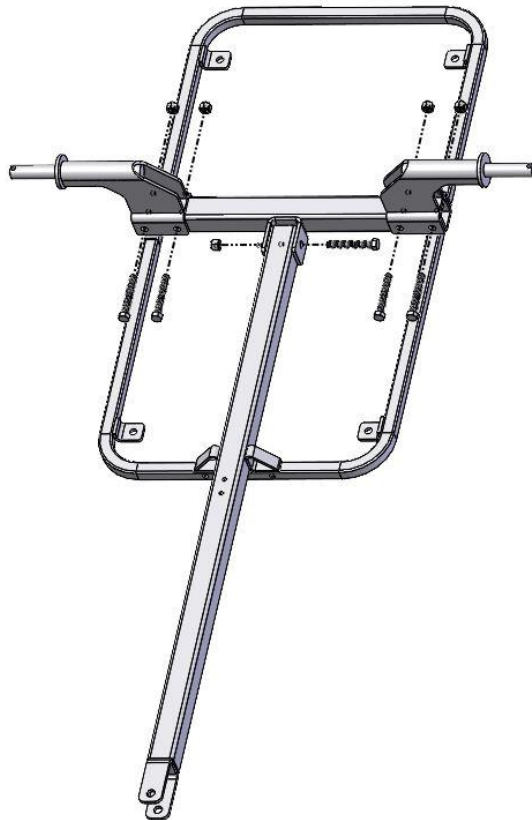
17	4	3/8"-16x1.25" Hex Bolt
18	2	5/16"-18x2.75" Hex Bolt
19	20	5/16"-18x1.75" Hex Bolt
20	1	1/4"-20x1" Hex Bolt
21	10	1/2" Flat Washer
22	12	3/8" Flat Washer
23	44	5/16" Flat Washer
24	2	1/4" Flat Washer
25	5	1/2" Nylon Lock Nut
26	6	3/8" Nylon Lock Nut
27	22	5/16" Nylon Lock Nut
28	1	1/4" Nylon Lock Nut
29	2	Large Fender Washer
30	2	Large Snap Ring
31	1	Small Snap Ring
32	1	Hitch Pin



## Trailer Assembly

1. Attach the axle assemblies and hitch tube to the trailer frame using the 1/2"-13x3.5" hex bolts. **FIGURE 1**

**FIGURE 1**

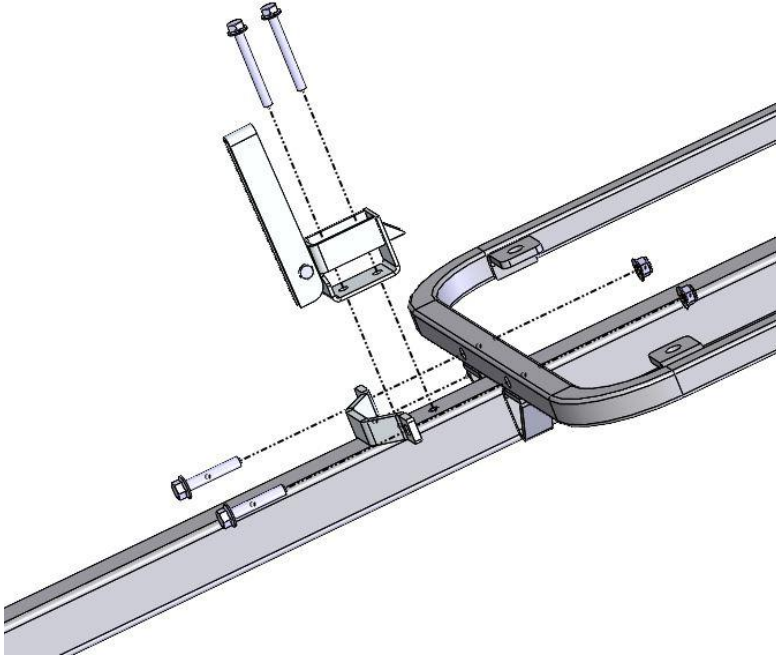


**Poly Tub Trailer  
IP8001**

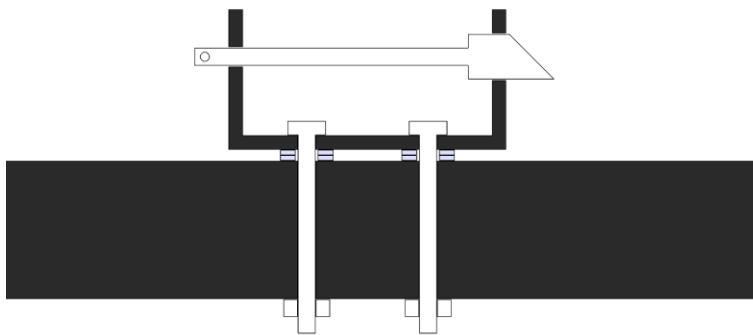


22000 Industrial Blvd, Ste 250  
Rogers, MN 55374  
866.527.7637

2. Attach the locking lever box to the top of the hitch tube using the 5/16" -18x2.75" hex bolts. **FIGURE 2**
3. Assemble the locking lever. Use the provided 5/16" flat washers as spacers **FIGURE 3**
4. Attach the locking plate to the frame using the 3/8" -16x2" hex bolts. **FIGURE 2**



**FIGURE 2**



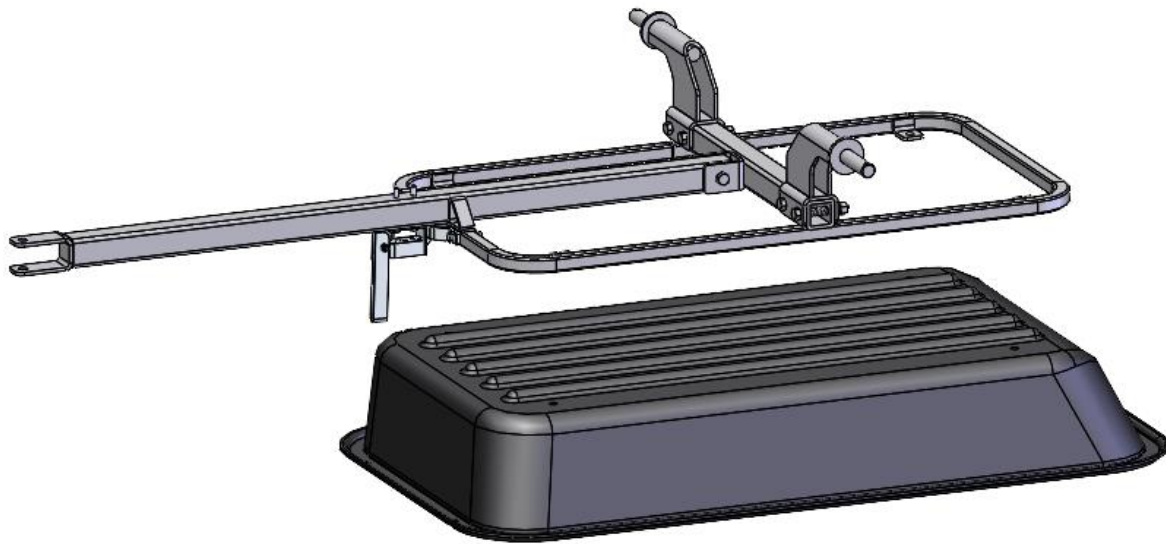
**FIGURE 3**

## Poly Tub Trailer IP8001



22000 Industrial Blvd, Ste 250  
Rogers, MN 55374  
866.527.7637

5. Set the trailer frame on the poly tub and mark drilling locations at the 4 corners.
6. **Note: The indents marked on the bottom of the tub may not line up with the holes in the frame. When drilling, follow your markings rather than the existing indents.**
7. Drill out the 4 marked holes into the bottom of the poly tub.
8. Secure the frame to the tub using the 3/8"-16x1.25" hex bolts. **FIGURE 4**



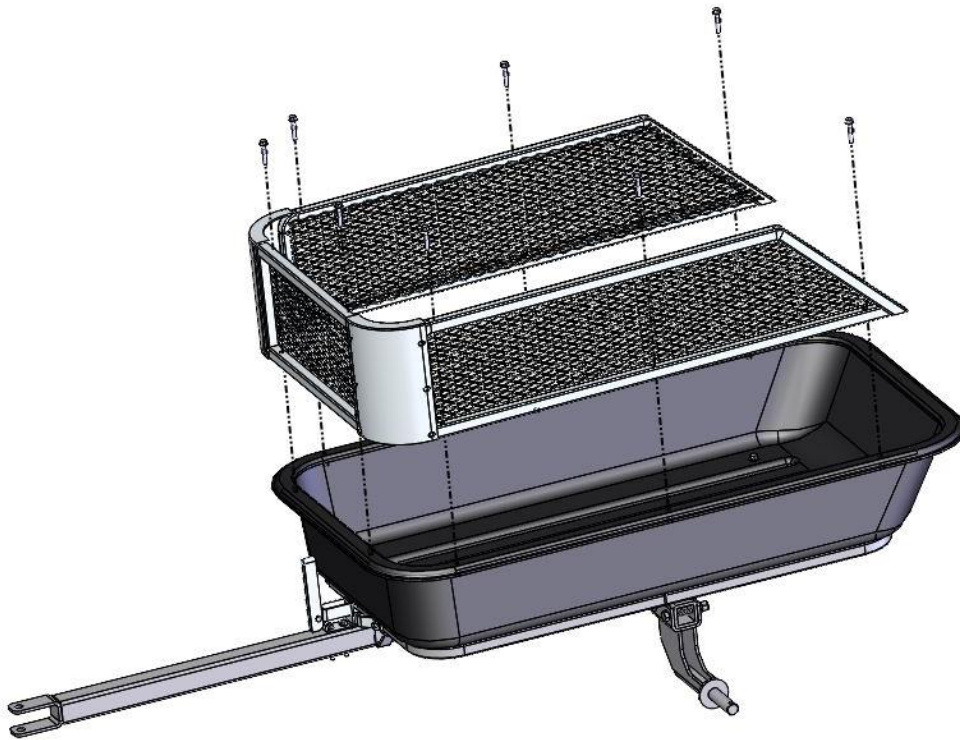
**FIGURE 4**

# Poly Tub Trailer IP8001



22000 Industrial Blvd, Ste 250  
Rogers, MN 55374  
866.527.7637

9. Loosely assemble the rails using 12 of the provided 5/16"-18x1.75" hex bolts.
10. Using the mounting holes in the rails as a template, mark drilling locations into the top of the poly tub.
11. **NOTE: The indents marked on the top of the tub may not line up with the holes in the rails. When drilling, follow your markings rather than the existing indents.**
12. Drill out the 8 marked holes into the top of the poly tub.
13. Attach the rails to the top of the tub using the 8 remaining 5/16"-18x1.75" hex bolts. **FIGURE 5**



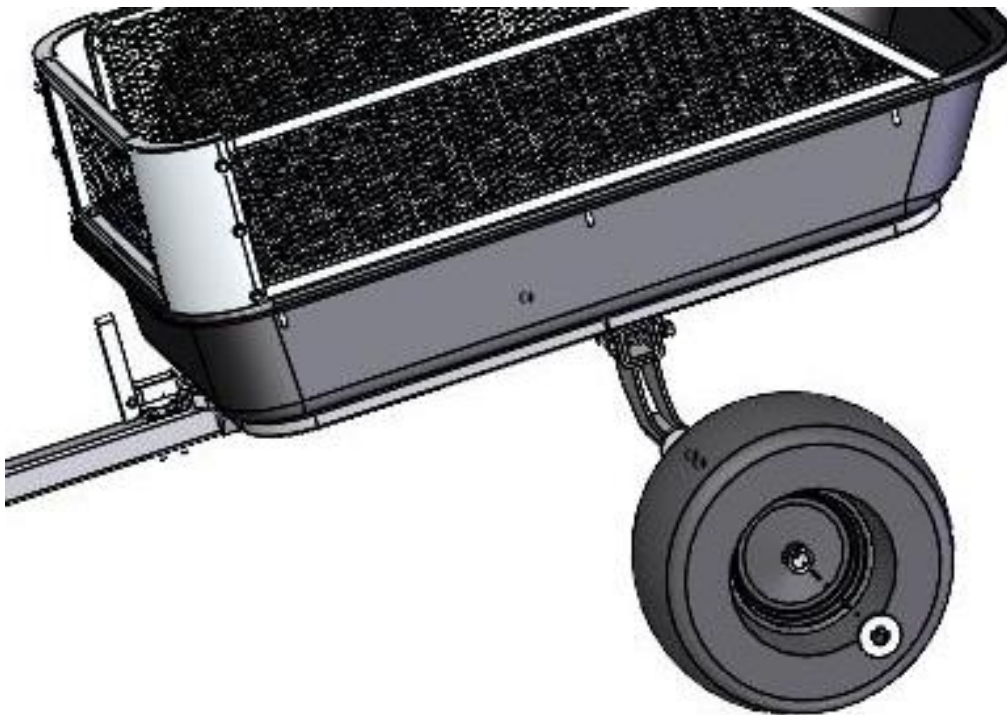
**FIGURE 5**

**Poly Tub Trailer  
IP8001**



22000 Industrial Blvd, Ste 250  
Rogers, MN 55374  
866.527.7637

14. Tighten the 12 bolts used to assemble the rails in step 8.
15. Put the wheels on the axles and secure each with a large fender washer and a large snap ring.
16. Insert the hitch pin into the hitch tube and secure with the small snap ring. **FIGURE 6**



**FIGURE 6**