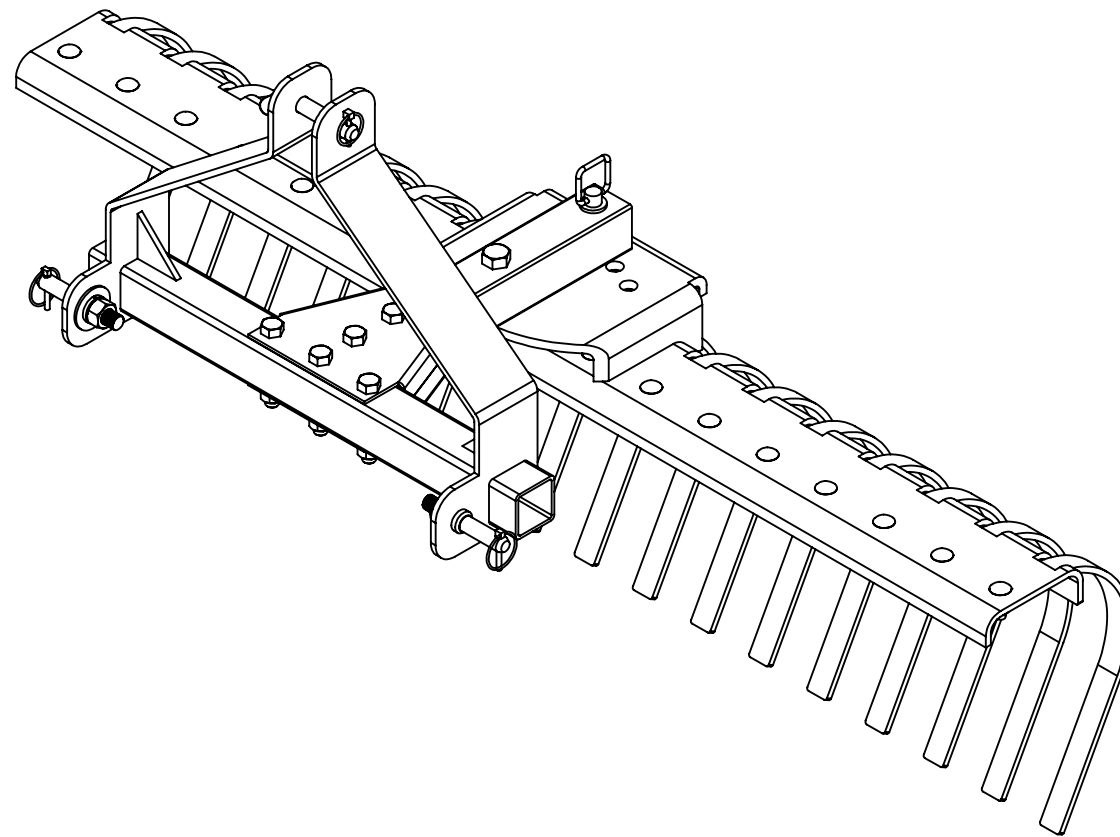




motoalliance

23001 Industrial Blvd, Rogers, MN 55374 / 1-866-527-7637
www.motoalliance.com - 411@motoalliance.com



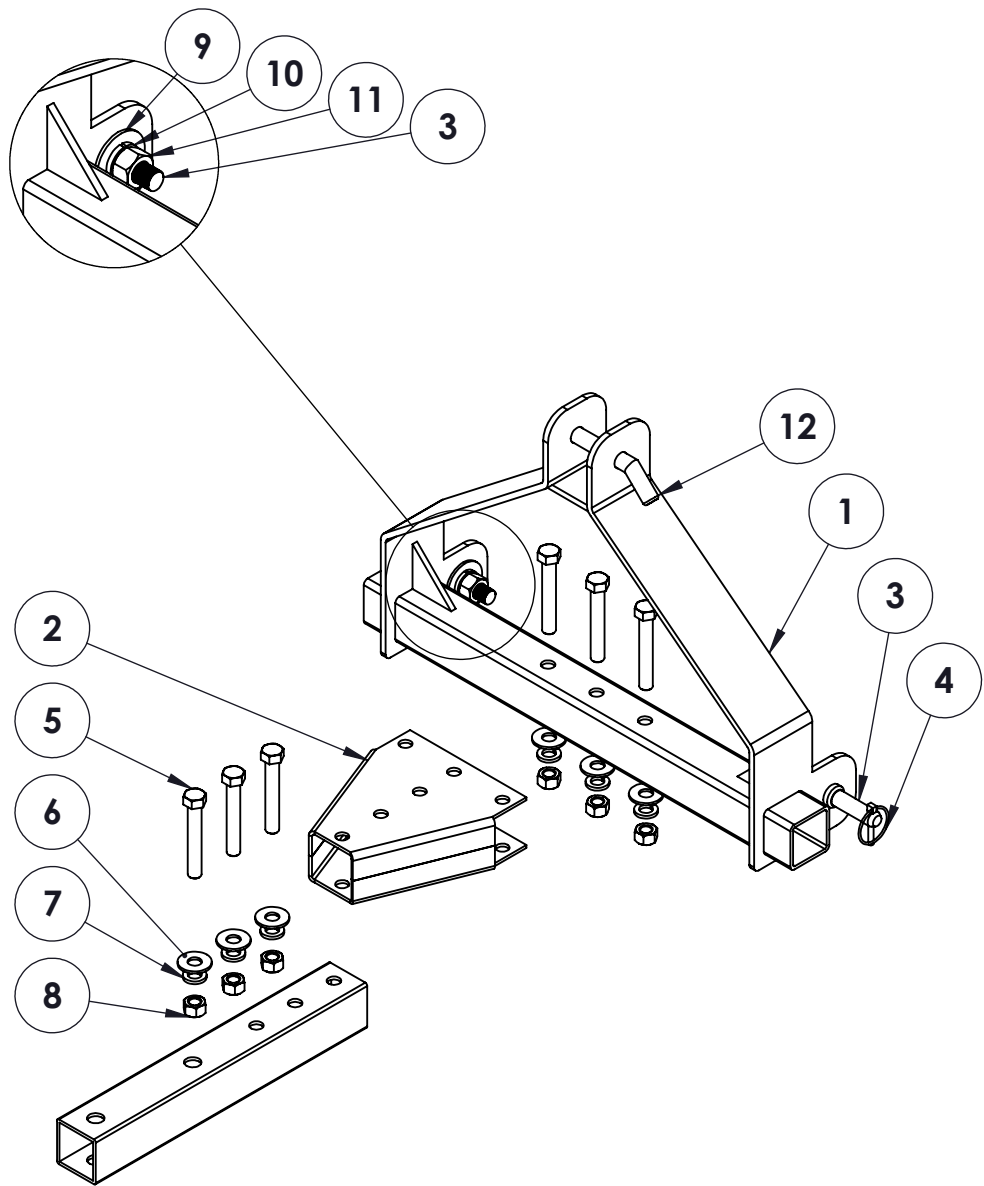
BEFORE YOU BEGIN:

- Please read and understand all instructions.
- Verify all parts and tools are accounted for.
- To ensure a satisfactory installation, follow all steps correctly and in the sequence described.
- All directions referring to right and left are when the rider is sitting on the machine

INSTALLATION NOTES: TOOLS REQUIRED:

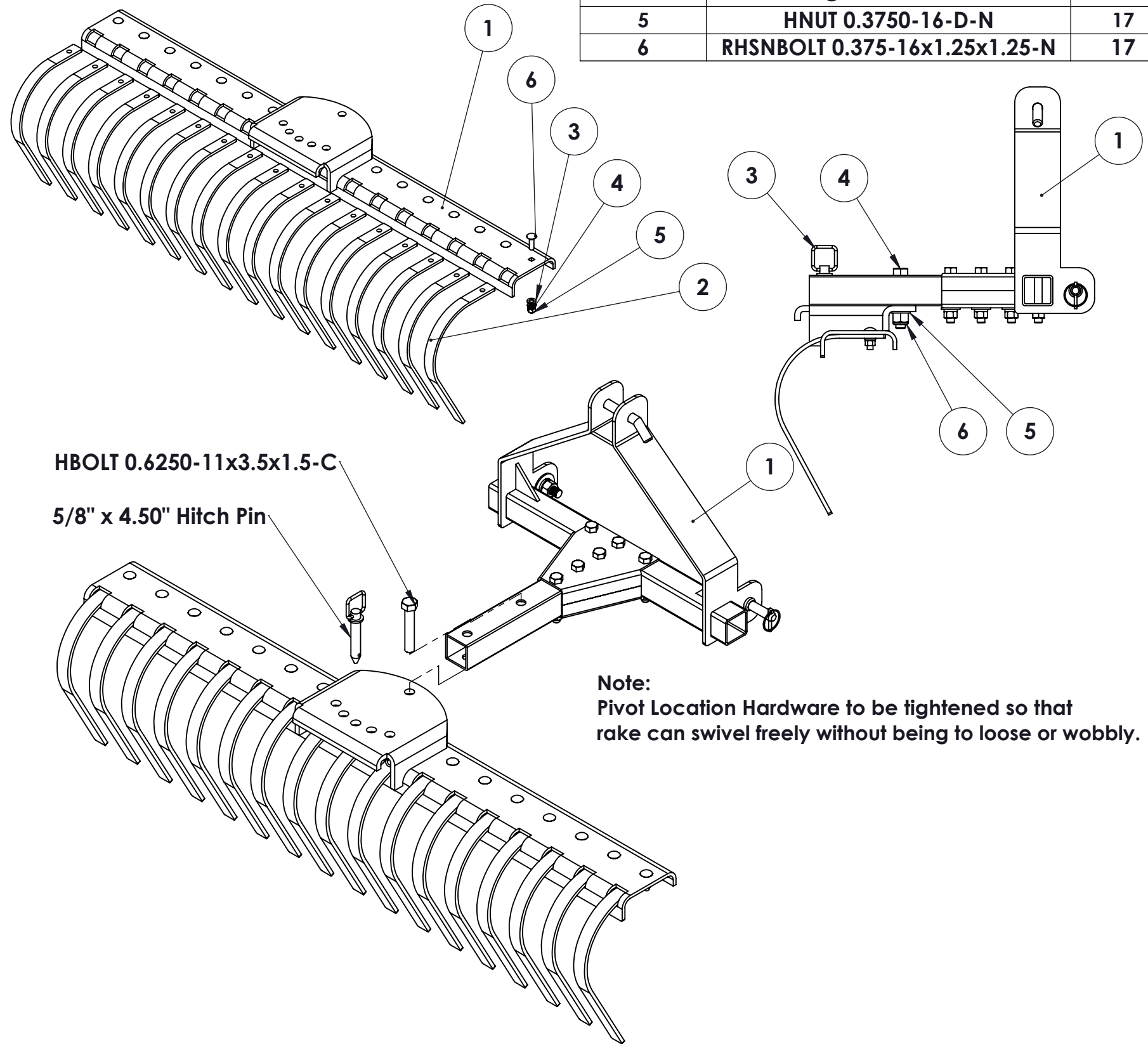
- Basic Hand Wrench and Socket Set
- Plastic Cutting Tool - for opening packaging.

UPC Bopx-1 810541023136 / Box-2 810541023143
ITEM# IP-6002
DESCRIPTION: Impact® 3-Point, Landscape Rake



| ITEM NO. | DESCRIPTION | Default/QTY. |
|----------|---------------------------------|--------------|
| 1 | Tool Bar Main Weldment | 1 |
| 2 | Tool Bar Hitch Tube Weldment | 1 |
| 3 | Cat 0 Draw Pin | 2 |
| 4 | Linch Pin 5/32" Dia. | 2 |
| 5 | HBOLT 0.5000-13x3.25x1.25-N | 6 |
| 6 | Regular FW 0.5 | 6 |
| 7 | Regular LW 0.5 | 6 |
| 8 | HNUT 0.5000-13-D-N | 6 |
| 9 | Regular FW 0.625 | 2 |
| 10 | Regular LW 0.625 | 2 |
| 11 | HNUT 0.6250-18-D-N | 2 |
| 12 | 5/8" Bent Hitch Pin / Snap Clip | 1 |

| ITEM NO. | DESCRIPTION | QTY. |
|----------|-------------------------------|------|
| 1 | Rake Frame | 1 |
| 2 | Rake Tine | 17 |
| 3 | Narrow FW 0.375 | 17 |
| 4 | Regular LW 0.375 | 17 |
| 5 | HNUT 0.3750-16-D-N | 17 |
| 6 | RHSNBOLT 0.375-16x1.25x1.25-N | 17 |



HBOLT 0.6250-11x3.5x1.5-C
5/8" x 4.50" Hitch Pin

Note:
Pivot Location Hardware to be tightened so that rake can swivel freely without being too loose or wobbly.

| ITEM NO. | DESCRIPTION | QTY. |
|----------|-------------------------------------|------|
| 1 | 3-Point Tool Bar with Tube Assembly | 1 |
| 2 | 50" Landscape Rake | 1 |
| 3 | 5/8" x 4.50" Hitch Pin | 1 |
| 4 | HBOLT 0.6250-11x3.5x1.5-C | 1 |
| 5 | Narrow FW 0.625 | 1 |
| 6 | 5/8-11 Nylock Nut | 1 |
| 7 | 1/8" Dia. R-Clip | 1 |