

**Impact Implements IP5532
Hydraulic 1-pt Lift Electrical Setup**



Industrial Blvd Rogers, MN 55374



22000 Industrial Blvd Ste 250, Rogers, MN 55374
www.motoalliance.com. 1-866-527-7637

ITEM	Part Description	Quantity
1	IP5533 Hydraulic Pump (Figure 1)	1
2	IP5534 1-Point Hydraulic Lift System (Figure 1)	1
3	MX-228 Contactor (Figure 1)	1
4	MX-033 Rocker Switch Or Optional Dash Switch (Figure 1)	1
5	IP5535 Wiring Harness (Figure 1)	2
6	#12 x 1 1/4" Self Drilling Screws (Not shown)	4
7	Insulation Displacement Crimp (Not Shown)	1
8	Zip Ties (Not Shown)	5

Electrical Assembly Overview

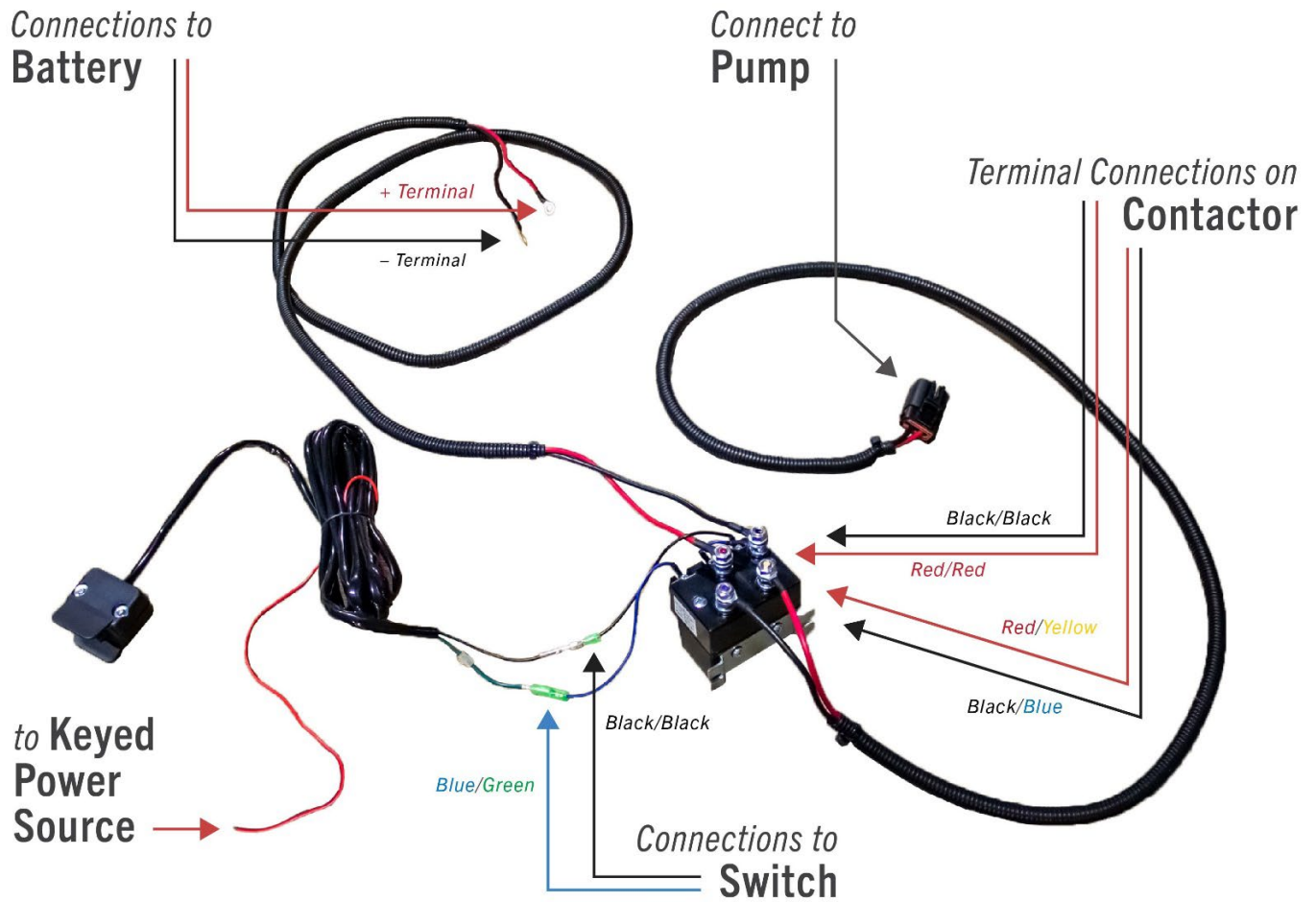
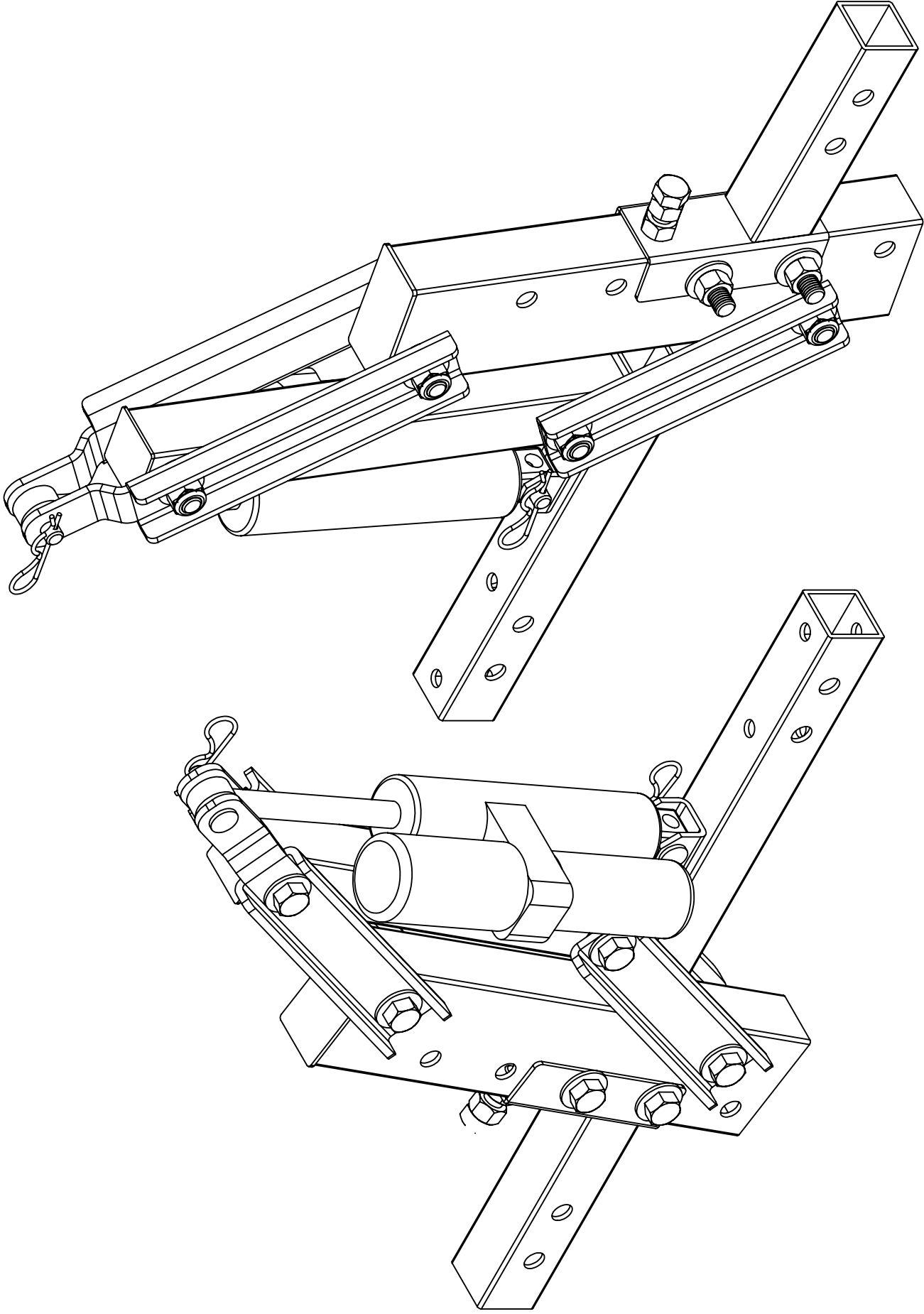


Figure 1

Electrical Setup

NOTE: For your safety, when working on your vehicles electrical system, always disconnect the **NEGATIVE** battery terminal and secure it away from the terminal post. Read through all of the instructions below before beginning the wiring stage.

- 1) The Contactor is the central hub in the electrical system. Its mounting location will drive all other wiring harness routing decisions. First, find a location to mount the Contactor that is as high and dry as possible but allows for each of the other harnesses to reach their intended locations. The Switch will mount at the front of the vehicle, the Hydraulic Pump Harness will attach to the Hydraulic Pump and the Battery Harness will connect to the Battery. Once a mounting location is identified lay out your Switch Harness, Hydraulic Pump Harness and Battery Harness such that each wiring harness will reach the intended target. Identify a rigid mounting location for the Contactor. Hold the Contactor in place while using a drill to install one of the #12 x 1 1/4" Self Drilling Screws to secure one corner of the Contactor. Install the remaining three Self Drilling Screws to secure the Contactor.
- 2) There are two wiring harnesses included in your kit, see Figure 1. The Battery Harness can be identified by having two sets of ring terminals on either end of the harness. The Hydraulic Pump Harness can be identified by having one set of ring terminals and a black connector.
- 3) Connect the female Black connector on the Hydraulic Pump Harness to the male connector on the Hydraulic pump.
- 4) Connect the Ring Terminals on the opposite end of the Hydraulic Pump Harness to the Contactor terminals as shown in Figure 1. The Red wire of the Hydraulic Pump Harness will connect to the Yellow terminal post and the Black wire will connect to the Blue terminal post on the Contactor.
- 5) Connect one set of Ring Terminals on the Battery Harness to the Contactor terminals as shown in Figure 1. The Red wire of the Battery Harness will connect to the Red terminal post and the Black wire will connect to the Black terminal post on the Contactor.
- 6) Mount your Handle Bar Switch or optional Dash Switch in a position that is most comfortable and route the wires toward the Contactor. Connect the Black and Green wires to the corresponding wire pigtail that comes out of your Contactor. (Black to Black and Blue to Green)
- 7) Connect the thin Red wire from the switch to auxiliary power (A power source that is active when the key is on). Use the blue Insulation Displacement Crimp to attach the Red wire to Auxiliary power.
- 8) Connect the remaining Ring Terminals on the Battery Harness to the battery terminals. First, connect the Red Wire to the Positive battery terminal. Then, connect both the negative battery cable and the White Wire to the Negative battery terminal.
- 9) Turn the Key to the ON state and test that the switch operates the Hydraulic Lift System.
- 10) Ensure all wires are routed away from hot, moving and or sharp objects and are securely fastened.



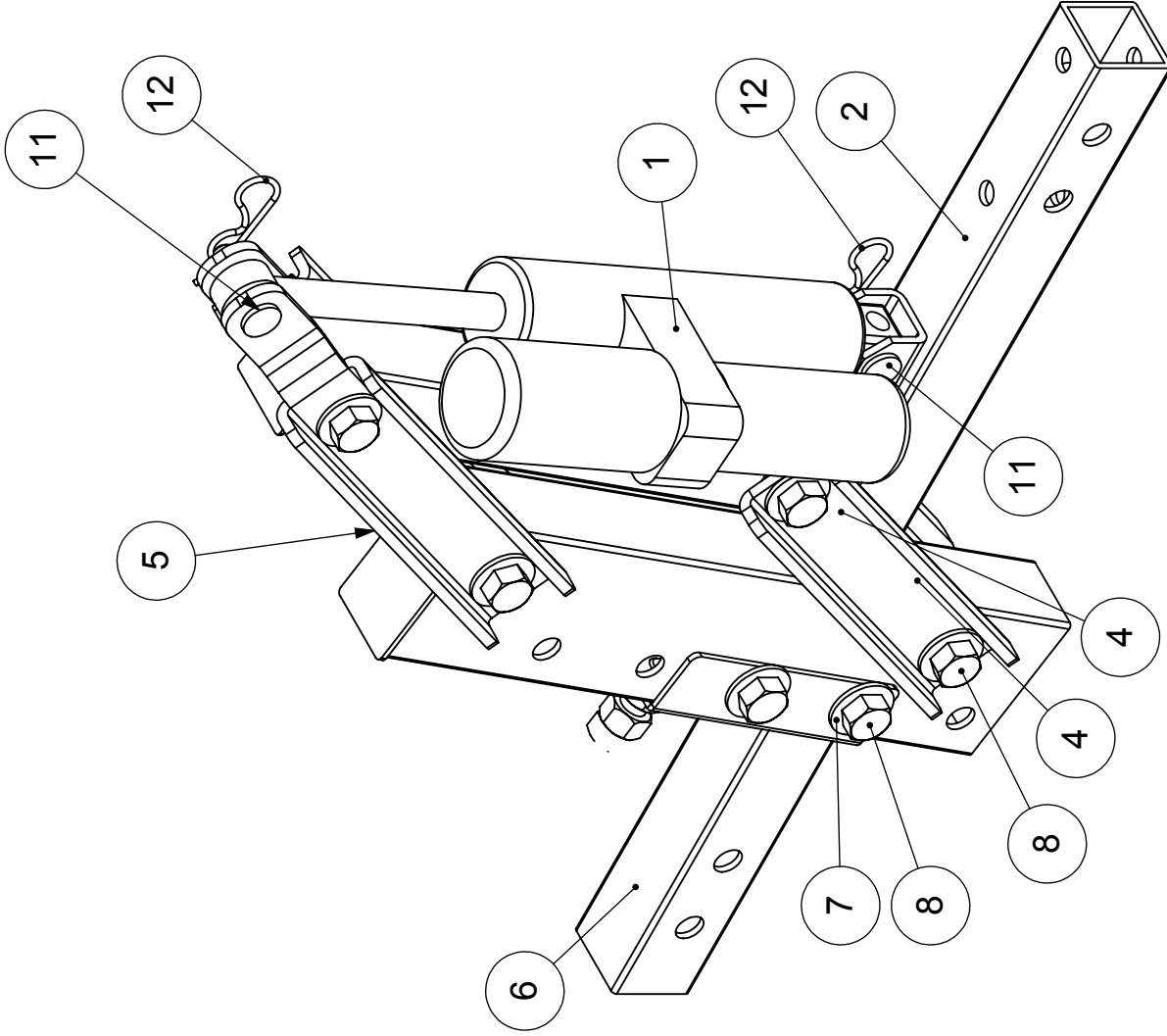
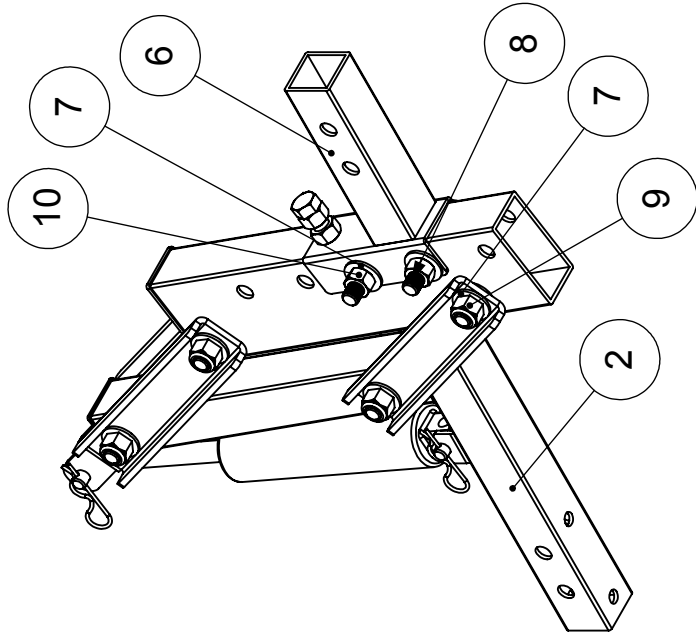
UPC

MODEL #

DESCRIPTION:

Actuated Lift System

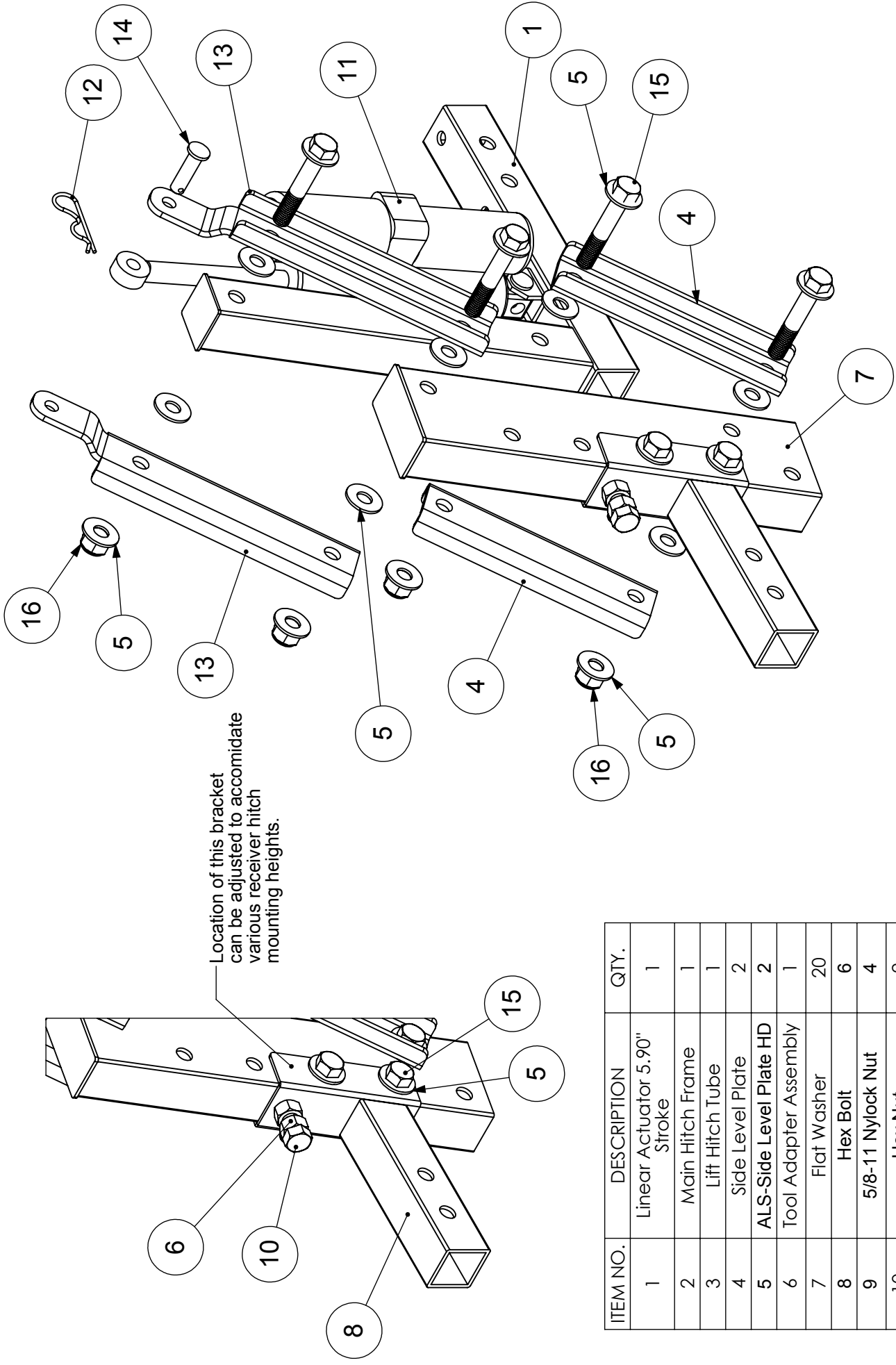
MOTOALLIANCE - WWW.MOTOALLIANCE.COM - (866)527-7637



ITEM NO.	DESCRIPTION	QTY.
1	Linear Actuator 5.90" Stroke	1
2	Main Hitch Frame	1
3	Lift Hitch Tube	1
4	Side Level Plate	2
5	ALS-Side Level Plate HD	2
6	Tool Adapter Assembly	1
7	Flat Washer	20
8	Hex Bolt	6
9	5/8-11 Nylock Nut	4
10	Hex Nut	2
11	14mm Dia. Pin	2
12	1/8" Dia. R-Clip	2

UPC
 MODEL #
 DESCRIPTION:
 Actuated Lift System

MOTOALLIANCE - WWW.MOTOALLIANCE.COM - (866)527-7637

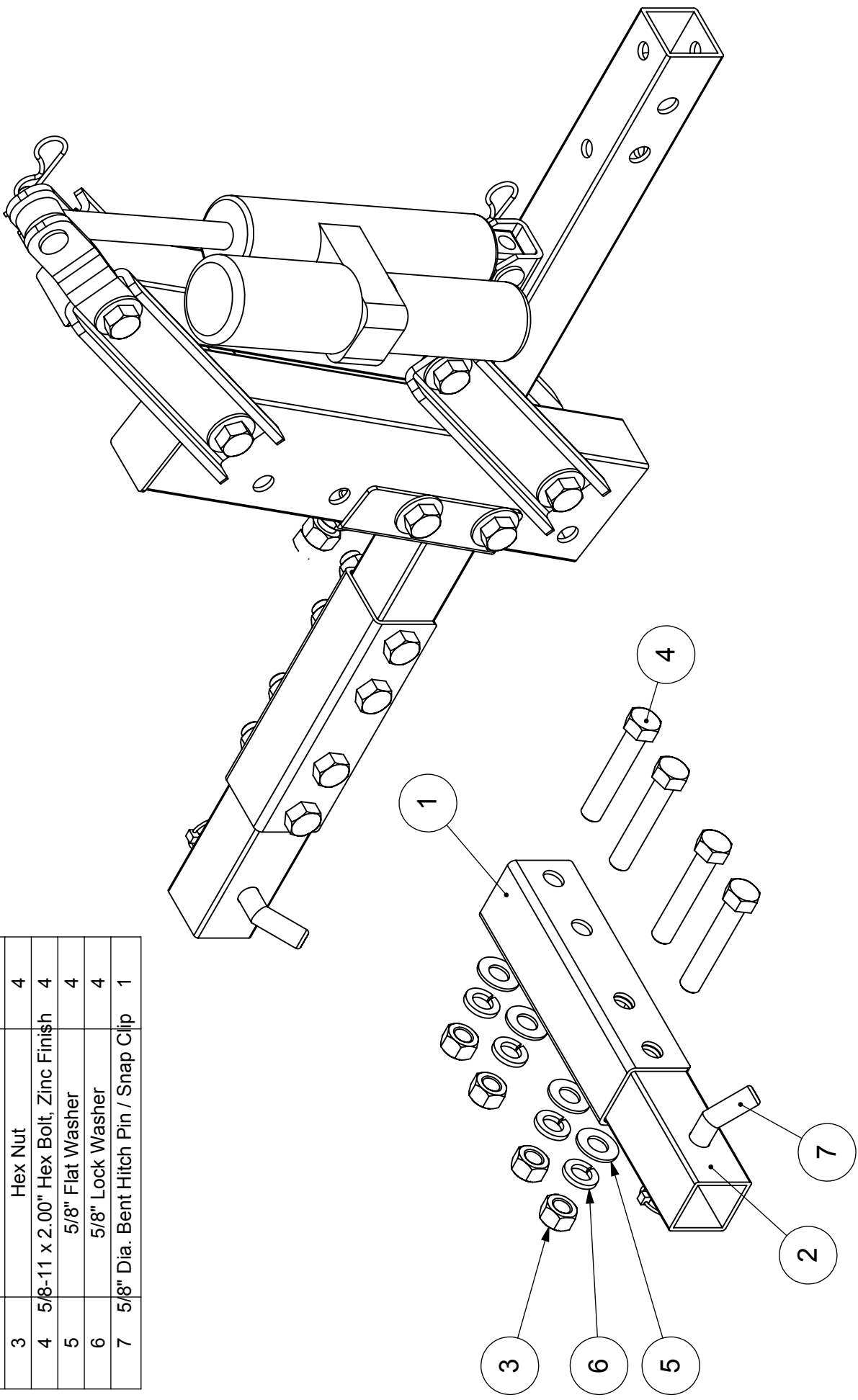


ITEM NO.	DESCRIPTION	QTY.
1	Linear Actuator 5.90" Stroke	1
2	Main Hitch Frame	1
3	Lift Hitch Tube	1
4	Side Level Plate	2
5	ALS-Side Level Plate HD	2
6	Tool Adapter Assembly	1
7	Flat Washer	20
8	Hex Bolt	6
9	5/8-11 Nylock Nut	4
10	Hex Nut	2
11	14mm Dia. Pin	2
12	1/8" Dia. R-Clip	2

MOTOALLIANCE - WWW.MOTOALLIANCE.COM - (866)527-7637

UPC
MODEL #
DESCRIPTION:
Actuated Lift System

ITEM NO.	description	QTY.
1	UTV Extension Bracket	1
2	UTV Extension Hitch Tube	1
3	Hex Nut	4
4	5/8-11 x 2.00" Hex Bolt, Zinc Finish	4
5	5/8" Flat Washer	4
6	5/8" Lock Washer	4
7	5/8" Dia. Bent Hitch Pin / Snap Clip	1



UPC
 MODEL #
 DESCRIPTION:
 UTV Extension Kit

MOTOALLIANCE - WWW.MOTOALLIANCE.COM - (866)527-7637