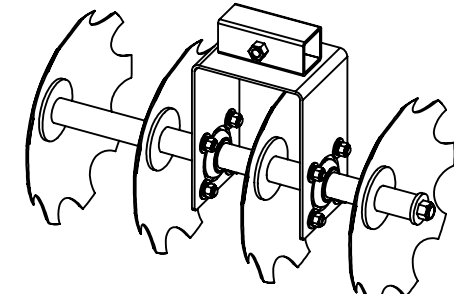
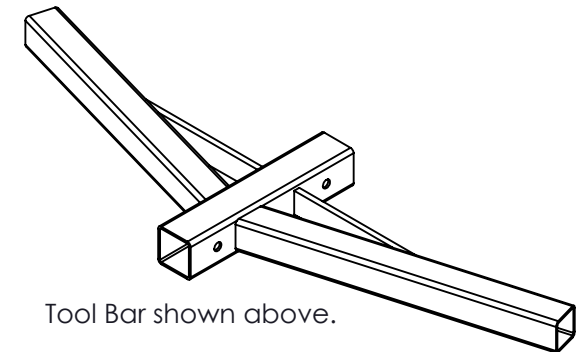


ITEM NO.	PART NUMBER	DESCRIPTION	QTY.
1	Disk Plow Bar	Tool Bar	1
2	Disk Plow Half Section	Disc Plow Half Section	2
3	.50" Hitch Pin - With Spring Clip	1/2" Dia. Bent Hitch Pin / Snap Clip	2

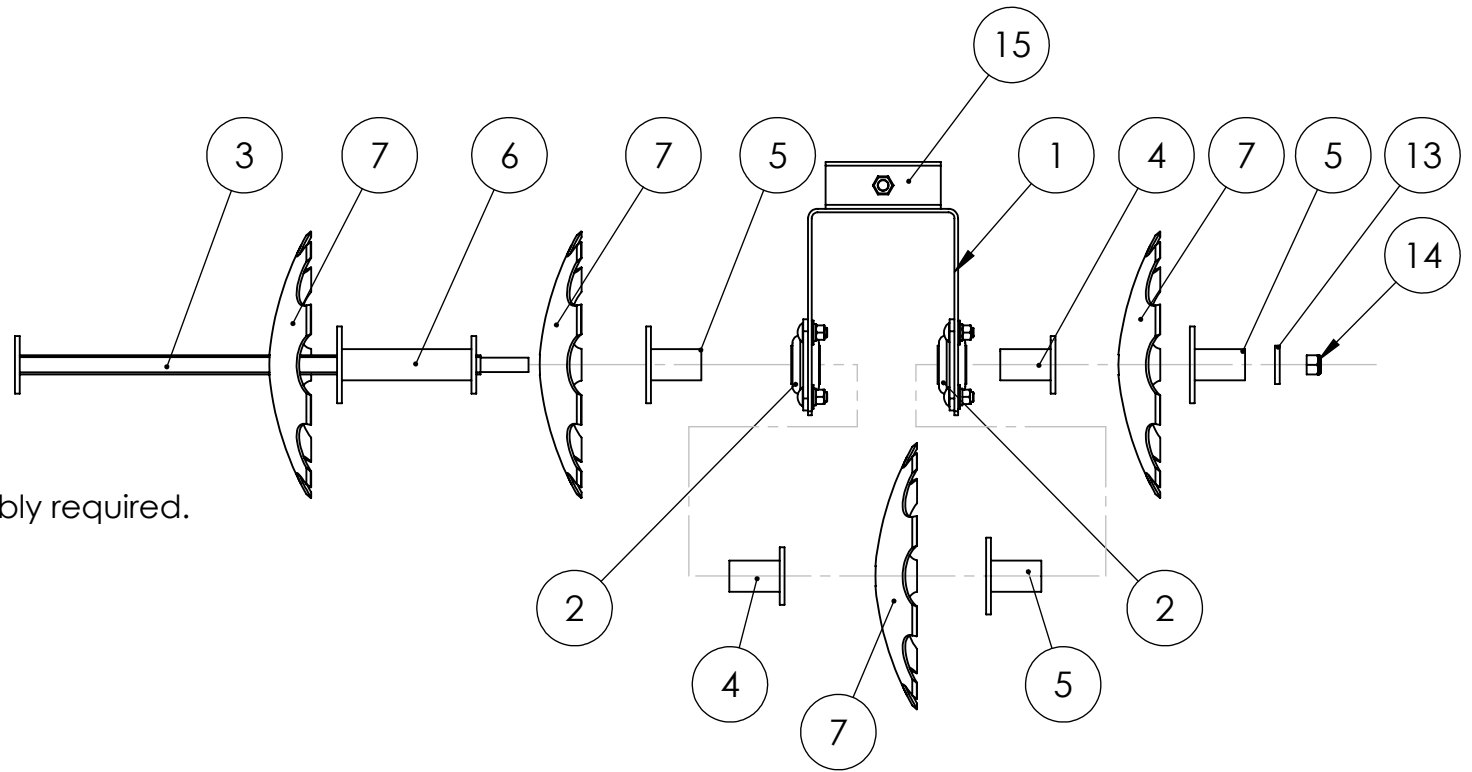
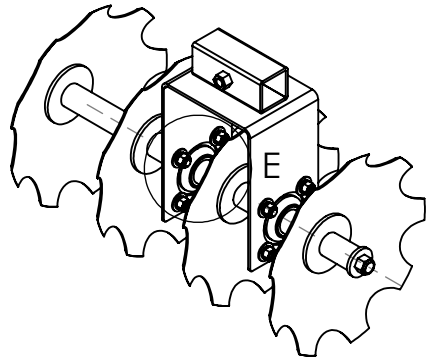


Note:
Two of the assemblies shown above will be required.
Assemble (2) prior to securing the
Disc Plow Half Sections to Tool Bar.



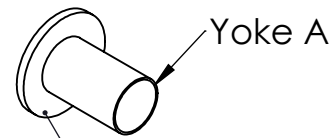
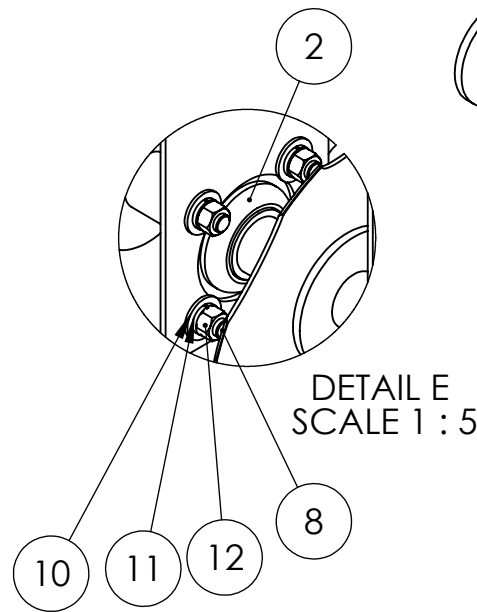
Tool Bar shown above.

All components for assembly come in Two (2) boxes.
Box "A" contain all main components.
Box "B" contains (8) Disc's.

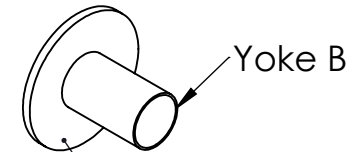


NOTE:
Only (1) of (2) Sections Shown.
Quantity (2) of the shown assembly required.

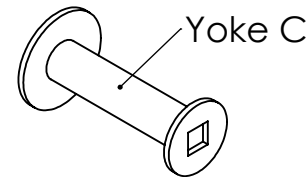
BOM Table		
ITEM NO.	PART NUMBER	QTY.
1	Plow Bearing Bracket	1
2	Flange Bearing	2
3	Disc Plow Axle	1
4	Yoke A	2
5	Yoke B	3
6	Yoke C	1
7	14 Disk Sqr	4
8	1/2-13 Carriage Bolt	8
10	1/2" Flat Washer	7
11	1/2" Lock Washer	8
12	1/2" Hex Nut	8
13	Axle Washer	1
15	Hitch Tube	1



Yoke "A" has a smaller size plate on end



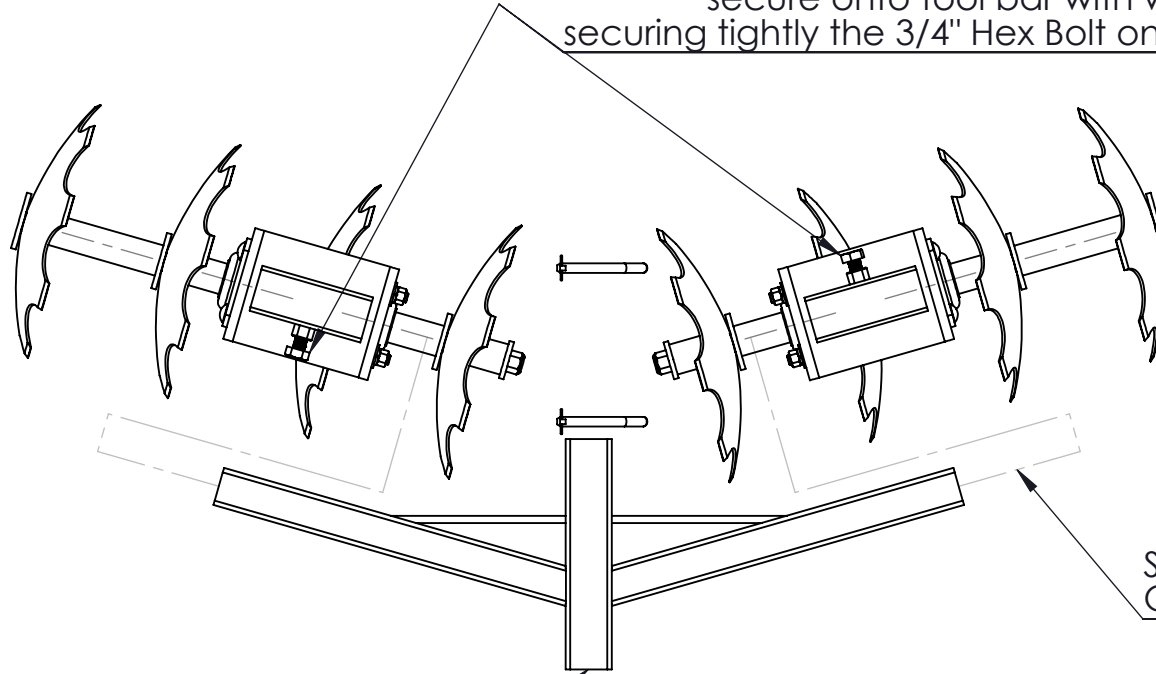
Yoke "B" has a larger size plate on end



UPC
MODEL #

DESCRIPTION: Disc Plow Half Section

Once each section is in place
secure onto tool bar with wrench
securing tightly the 3/4" Hex Bolt onto the tool bar.



Slide Each Section Half Section
Over End of Tool Bar

This end secure to ATV

Leave approx 8" between assemblies prior to tightening.

