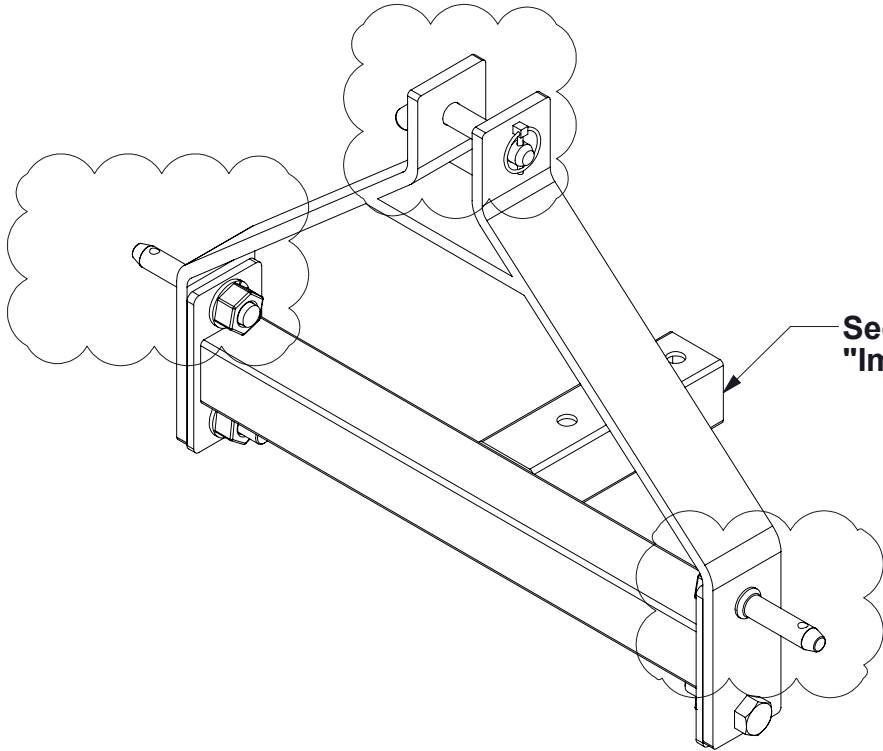


#	QTY	PART #
1	1	Cat 0 Hitch Adapter
2	2	Cat 0 Draw Pin
3	4	.625 Lock Washer
4	4	.625 Hex Nut for Draw Pin
5	1	625 Hitch Pin
6	1	Cat 0 Hitch Adapter Top Frame
7	2	HBOLT 0.6250-18x2x1.5-N

Balloned Area Secures  
to any Category 0 (Zero)  
3-Point Hitch Lift System



Secure this end to any  
"Impact Implements" accessory

